



Nix&Nixie®
U S A



2020 / 2021 COLLECTION
PREMIUM AIR / WHIRPOOL BATH

www.nixandnixie.net

INDEX



INTRODUCTION 2

- Nix&Nixie- A Whole new world of hydrotherapy
- Syllent pump- The quietest bath pump in the world.
- Acrylic- Lucite XL
- PVD coatings

Gallery 7

XO 17

Deluxe 57

Econo 85

Air Bath 115

Option & Accesories 133



The data and characteristic indicated are not binding.
Nix&Nixie reserves the right to make all necessary
modifications without prior notice or liability for replacement.

Nix&Nixie® – A whole new world of hydrotherapy.



Model 6060C - XO



Model 6060C - Deluxe



Model 6060C - Econo



Model 6060C - Air Bath

Nix&Nixie represents the combination of modern design and simple ASAP function, as simple as possible for easy use, coupled with all the benefits of advanced technology.

- All products **Made in USA**
- All products Hi-gloss **Lucite® XL**, acrylic finish.
- Standard colors- White, Biscuit, Bone, Black.
- Metal finishes- Pol. Brass, Brushed Nickel, Pol. Chrome.
- All products available 115V 50/60Hz. or 230V 50/60Hz.
- Soaking tub only models are same as Econo-line whirlpool models without system, some models have recessed backjet area.

Nix&Nixie offers a full range of hydrotherapy systems in five product lines- XO, Deluxe, Econo, Air Bath, Soaking Tub.

- **XO** - Air/whirlpool Combined Massage System
- **Deluxe** - Whirlpool Massage System
- **Econo** - Whirlpool Massage System
- **Air Bath** - Air Massage System
- **Soaking Tub**

Syllent® pump... The quietest bath pump in the world. Less than 5dB ambient noise.

With its revolutionary centrifugal motor/pump technology, this extraordinary innovative integrated pump/motor design provides the quietest whirlpool bath experience available today while delivering unparalleled comfort and value-added features not found in traditional bath pumps.

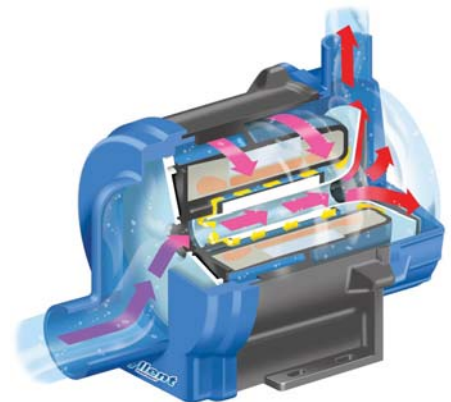
Syllent® Hydrotherapy... The ultimate in peace and quiet.

Syllent creates a **hydro-magnetic rotor**, the **patented core technology** behind the extraordinary performance of Syllent. Only this technology can meet the consumer's need for the highest flow performance coupled with the lowest energy consumption and the quietest fluid motion.

By design, Syllent has **no noisy parts such as roller bearings, electric brushes and cooling fan** in it. With its revolutionary technology and design, Syllent delivers all the functions of a traditional motor, pump, cooling fan and heater in one totally quiet, enclosed unit.

Syllent® Technology... The revolution of bath pump.

- Syllent is **the quietest bath pump** in the world, **less than 5dB(a) noise**.
- Syllent **keeps bath water warmer longer** by capturing the heat energy from its motor- **Internal heat exchange**. **No electric heater needed**.
- Syllent is shielded with **IP68 protection**- **total protection from dust or submersion**- It could even run if totally immersed in water. Traditional pumps mostly rated under IP45 protection
- Syllent is **safe**- its own **internal water sensor** automatically shuts the pump off in the absence of water. **Bimetallic thermostat** turn the pump off automatically if overheating occurs.
- Syllent **cannot leak**- by design it has **no shaft seal**. The shaft seal between the wet end assembly(pump) and the motor in a traditional pump deteriorates over time.



Acrylic- Lucite® XL

The difference begins in the very molecular structure of acrylic. Unlike other plastics such as gelcoat/fiberglass, acrylic is naturally weather and chemical resistant, virtually non-porous. Therefore acrylic is far less susceptible to mildew, soap scum, cleaning chemicals, sun and weather which can fade or dull surfaces overtime. Cleaning is easy, using a mild bathroom cleaner and wiping with a damp sponge/cloth.

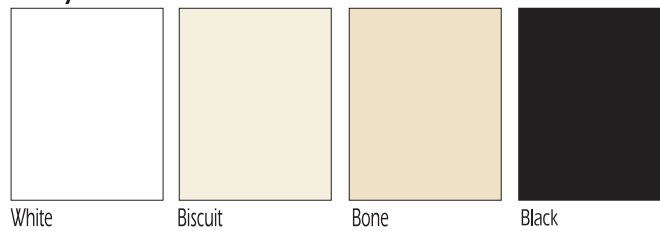
Lucite XL® continuous cast cross-linked acrylic sheet is specially formulated for superior thermoforming, chemical and stain resistant properties.

Lucite XL® exhibits the excellent surface quality needed to produce high-end bathware which is attractive and durable.

The unique benefits of acrylic

- **High-gloss finish**- Keeps it's shine through years of everyday use.
- **Easy to clean**- Hard, non-porous surface is less susceptible to mildew and algae.
- **Color fast**- Won't fade or dull in sunlight.
- **Chemical/stain resistant**- Resists common household stains.
- **High heat retention**- Warm to the touch, providing a more comfortable bathing experience.
- **Easy to repair**- Color goes all the way though acrylic, most scratches can be buffed out.

Acrylic colors



Note : Acrylic colors shown are preliminary reference only. Ask to see bathware in these colors or samples of the actual materials to confirm your selection.

PVD(Physical Vapor Deposition) coatings

The art of decorative metal finishes

The metal plating process has been used to preserve and add beauty.

Traditional wet electroplating of brass, gold, and nickel finishes require clear coats that are routinely degraded by solar radiation and can easily tarnish or corrode.

PVD is a method of vaporizing, ionizing, and depositing high purity metals and gases onto components in a vacuum chamber to achieve metal compounds that look like brass, gold, and nickel.

An electric arc is used to evaporate and ionize base metals, while reactive gases flow into the chamber. Together they form very hard, dense metal compounds on the parts.

PVD deposits metals in a vacuum chamber. It is a dry process with environmentally compliant technology. PVD coatings represent the revolution in decorative metal finish.

The benefits of PVD coatings

- Four times harder than brass and gold - **corrosion/ scratch resistance**.
- Exhibit **high levels of adhesion** that are unobtainable by means of wet electroplating.
- Require **no clear topcoats** that are easily degraded by solar radiation-never fade or dull.
- **Superlative color consistency and stability**- keep high gloss shine.
- **Environmentally compliant technology**- a dry process in a vacuum chamber.

Metal finishes



Polished Brass(PVD)



Satin Nickel (PVD)



Polished Chrome

Note : Metal finishes shown are preliminary reference only. Ask to see bathware in these colors or samples of the actual materials to confirm your selection.

■ XO

■ Deluxe

■ Econo

■ Air Bath

Gallery

[SQUARE]

7272S/6666S/6060S



[ROUND]

7272R/6666R/6060R



5555R



[CORNER]

6666C



6060DS



6060C



[OVAL]

7444-O

7236-O



7242DS

7236DS



7242-O



[RECTANGULAR]

6636RA



7242RB

6642RB

6042RB



7238RC

6638RC

6636RC

6332RC



[DOUBLE]
7260D



7248D
7242D



6648D



XO

6642-O



6636-O
6433-O



6634RF



6032RH



[SQUARE]

7272S/6666S/6060S



[ROUND]

7272R/6666R/6060R



5555R



[CORNER]

6666C/ 5555C



6060DS



6060C



7242DS
7236DS



7242-O



6642-O



7242RB
6642RB
6042RB



7238RC
6638RC
6636RC
6332RC



7236RD
6634RD



[DOUBLE]

7260D



7248D

7242D



6648D



5151C



4848C

4242C



[OVAL]

7444-O

7236-O



6636-O
6433-O



6040-O
6036-O



4842-O



[RECTANGULAR]

6636RA
6034RA



6036RE
6032RE
6030RE



6634RF
6032RF



6030RG



6032RH



[SQUARE]

7272S/6666S/6060S



[ROUND]

7272R/6666R/6060R



5555R



[CORNER]

6666C/ 5555C



6060DS



6060C



7242DS
7236DS



7242-O



7242-OF



6642-O



7242RB
6642RB
6042RB



7238RC
6638RC
6636RC
6332RC



7236RD
6634RD



6036RE
6032RE
6030RE



[DOUBLE]

7260D



7248D

7242D



6648D



5151C



4848C

4242C



[OVAL]

7444-O

7236-O



6636-O

6433-O



6040-O

6036-O



4842-O



[RECTANGULAR]

6636RA

6034RA



6634RF

6032RF



6030RG



6032RH



[CORNER]

6060C



5151C



4848C

4242C



[OVAL]

7242-OF



6642-O



6636-O

6433-O



[RECTANGULAR]

6636RA

6034RA



7242RB

6642RB

6042RB



7238RC

6638RC

6636RC

6332RC



6030RG



6032RH



6040-O
6036-O



7236RD
6634RD



6036RE
6032RE
6030RE



6634RF
6032RF



XO Standard Features



Chrome electric switch
Air/ Whirlpool & light-on/off



Syllent® pump (no heater needed)
w/ Anti-vibration rubber mount legs



Hot air blower
Motor 1030w w/200watt Air Heating System
w/anti-vibration rubber mount legs



Water level sensor(dry-run protection)
20 minutes off-timer
Auto purge/ dry cycle(air)



Chrome micro whirlpool jets
w/ adjustable diverter valve



Chrome standard whirlpool jets



Chrome air jets
w/ anti-backwash check valve



Chrome hi-volume suction



Underwater mood light
w/Multi-color LED light



Headrest II w/chrome support
(available models)



Chrome grab rail (available models)

XO

AIR / WHIRLPOOL COMBINED MASSAGE SYSTEM

XO

7272S
6666S
6060S

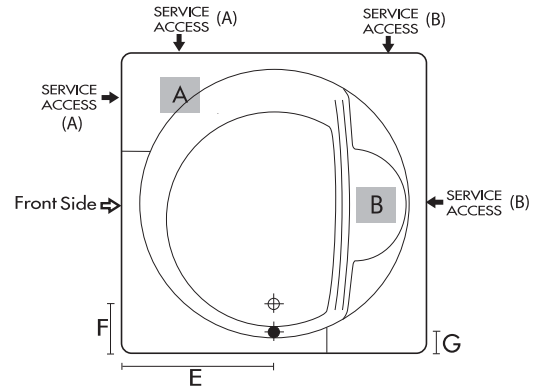
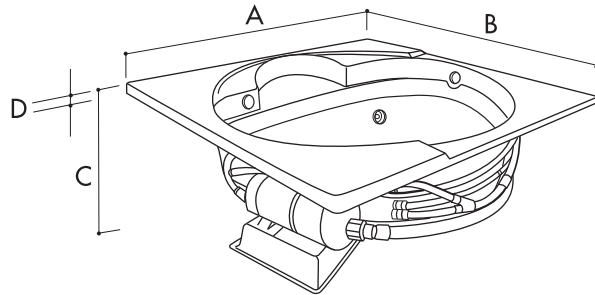
SQUARE



MODEL : 7272S, 6666S, 6060S

Drain Location : Right-hand drain

Pump Location : A/B



SPECIFICATION

Model	Length(A)	Width(B)	Normal dimentions(mm)				Bathing well depth	Whirlpool jets	Air jets	Syllent Pump(A)	Air blower(W)
			Height(C)	(D)	(E)	(F)					
7272S	71 1/2(1816)	71 1/2(1816)	23(584)	2 1/2(63)	35 3/4(908)	11 1/2(292)	4 1/4(107)	20(508)	10	11	9.4 A 1030w
6666S	65 1/2(1663)	65 1/2(1663)	22(558)	2 1/2(63)	32 3/4(831)	10 1/2(266)	3 3/4(95)	19(482)	10	11	9.4 A 1030w
6060S	59 1/2(1511)	59 1/2(1511)	22(558)	2 1/2(63)	29 3/4(755)	9(229)	3 1/2(88)	19(482)	10	11	9.4 A 1030w



XO

7272R
6666R
6060R

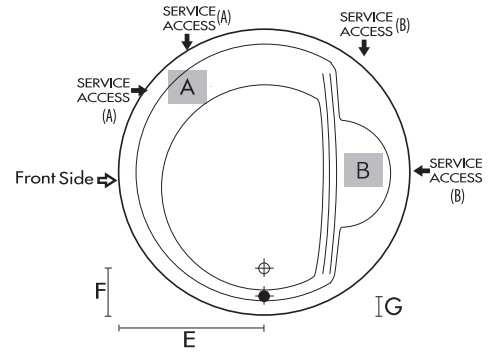
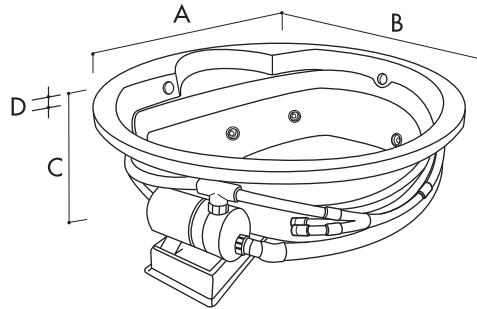
ROUND



MODEL : 7272R, 6666R, 6060R

Drain Location : Right-hand drain

Pump Location : A/B



SPECIFICATION

Model	Length(A)	Width(B)	Normal dimintions(mm)				Bathing well depth	Whirlpool jets	Air jets	Syllent Pump(A)	Air blower(W)
			Height(C)	(D)	(E)	(F)					
7272R	71 1/2(1816)	71 1/2(1816)	23(584)	2(50)	35 3/4(908)	11 1/2(292)	4 1/4(107)	20(508)	10	11	9.4 A 1030w
6666R	65 1/2(1663)	65 1/2(1663)	22(558)	2(50)	32 3/4(831)	10 1/2(266)	3 3/4(95)	19(482)	10	11	9.4 A 1030w
6060R	59 1/2(1511)	59 1/2(1511)	21(533)	2(50)	29 3/4(755)	9(229)	3 1/2(88)	18(457)	10	11	9.4 A 1030w



XO

5555R

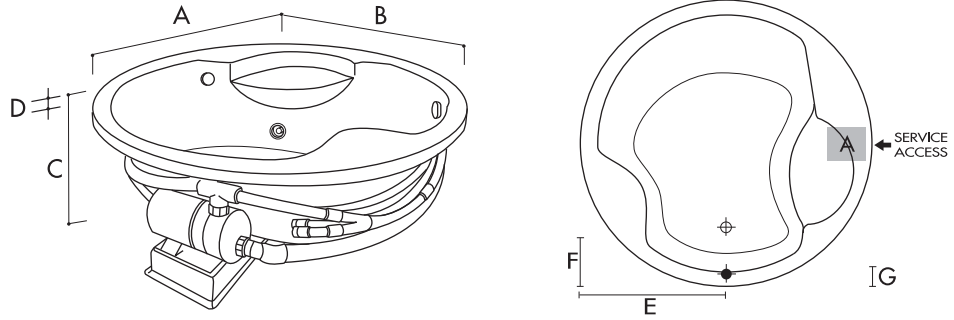
ROUND



MODEL : 5555R

Drain Location : Right-hand drain

Pump Location : A



SPECIFICATION

Model	Length(A)	Width(B)	Normal dimintions(mm)				(F)	(G)	Bathing well depth	Whirlpool jets	Air jets	Syllent Pump	Air blower
			Height(C)	(D)	(E)	(F)							
5555R	54 1/2(1384)	54 1/2(1384)	22(558)	2(50)	27 1/4(692)	10(254)	3 3/4(95)	19(482)	9	10	9.4A	1030w	



XO

7260D

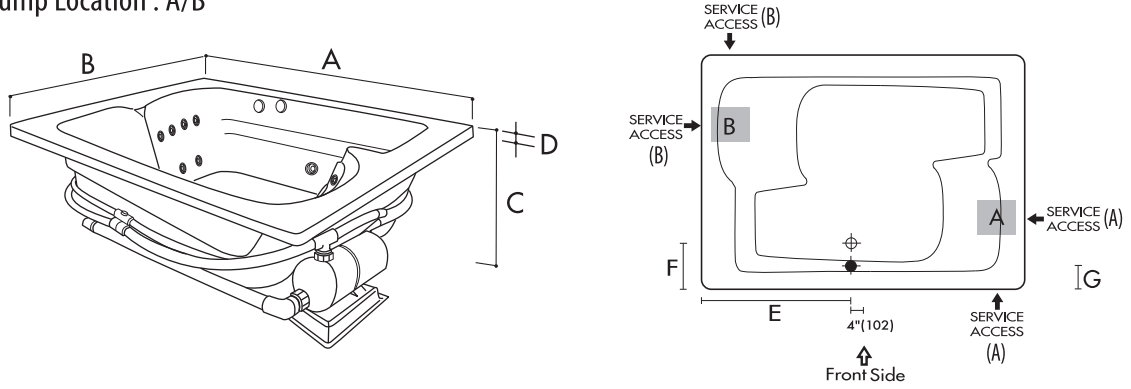
DOUBLE



MODEL : 7260D

Drain Location : Center drain

Pump Location : A/B



SPECIFICATION

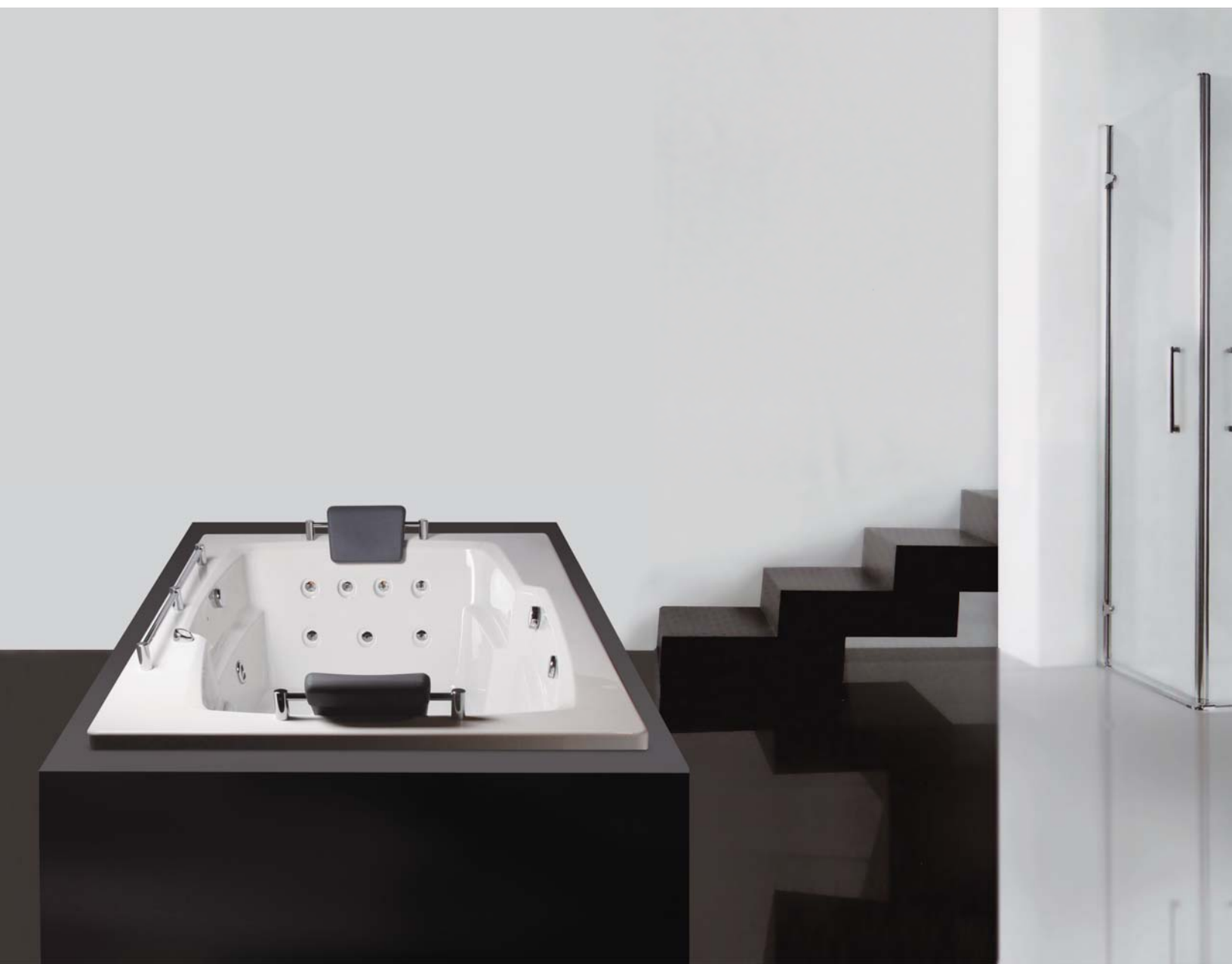
Model	Length(A)	Width(B)	Normal dimentions(mm)					Bathing well depth	Whirlpool jets	Air jets	Syllent Pump	Air blower
			Height(C)	(D)	(E)	(F)	(G)					
7260D	71 1/2(1816)	59 3/4(1517)	22(558)	2(50)	32(812)	14(355)	5 1/2(139)	20(508)	16	14	9.4A	1030w



XO

7248D
7242D

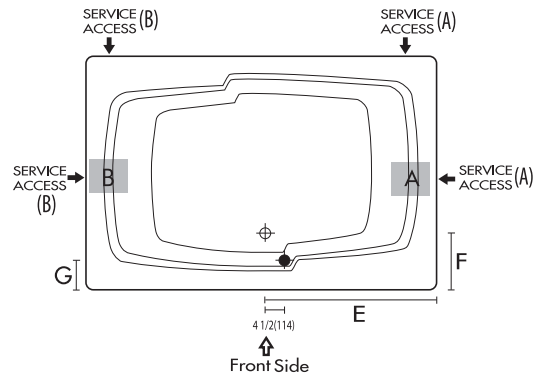
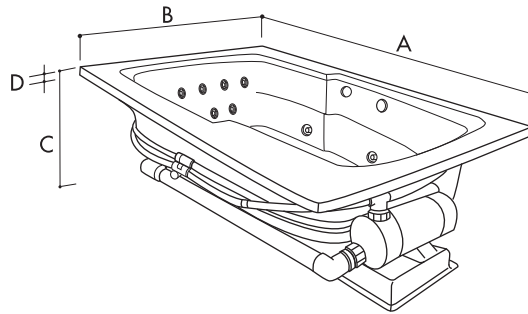
DOUBLE



MODEL : 7248D, 7242D

Drain Location : Center drain

Pump Location : A/B



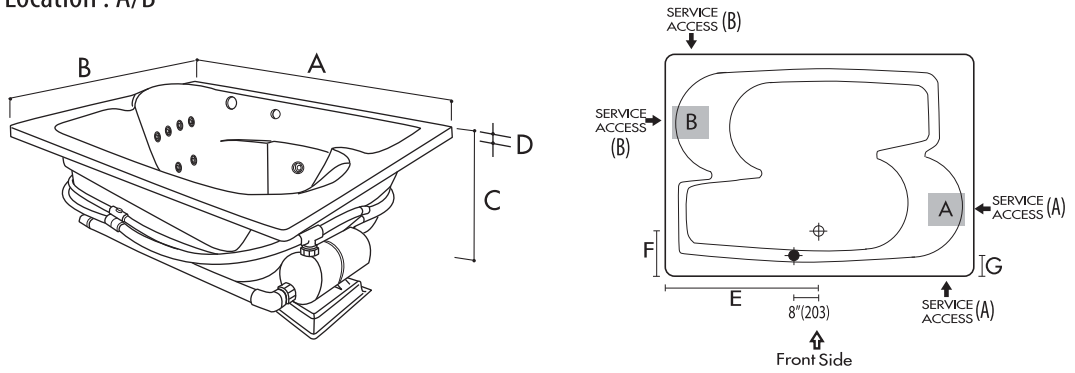
SPECIFICATION

Model	Length(A)	Width(B)	Normal dimenitions(mm)				Bathing well depth	Whirlpool jets	Air jets	Syllent Pump	Air blower	
			Height(C)	(D)	(E)	(F)						
7248D	72(1828)	48(1219)	22(558)	2(50)	36(914)	12(304)	4 1/2(114)	20(508)	16	12	9.4A	1030w
7242D	72(1828)	42(1066)	22(558)	2(50)	36(914)	11(279)	3 1/2(88)	20(508)	16	12	9.4A	1030w





MODEL : 6648D
 Drain Location : Center drain
 Pump Location : A/B



SPECIFICATION

Model	Length(A)	Width(B)	Normal dimintions(mm)				Bathing well depth	Whirlpool jets	Air jets	Syllent Pump	Air blower
			Height(C)	(D)	(E)	(F)					
6648D	65 1/2(1663)	47 3/4(1212)	22(558)	2(50)	32 3/4(831)	8 1/2(215)	3 1/4(82)	20(508)	16	12	9.4A 1030w



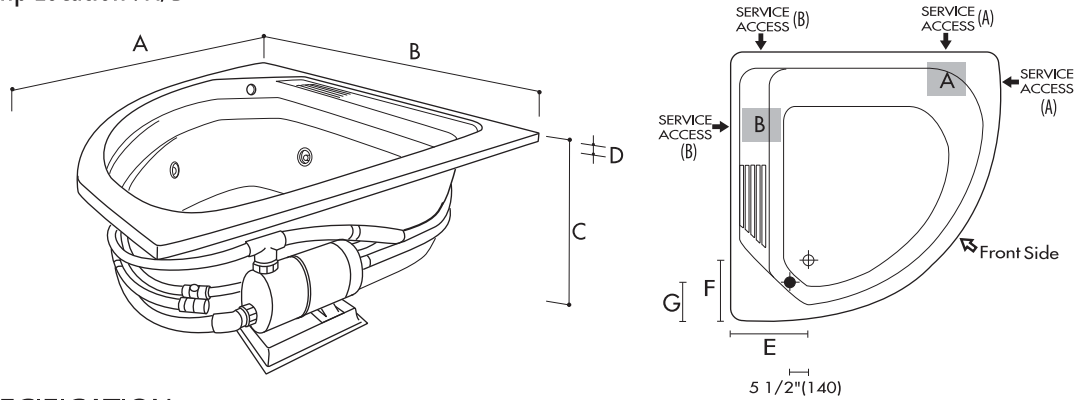
XO

6666C

CORNER



MODEL : 6666C
 Drain Location : Left-hand drain
 Pump Location : A/B



SPECIFICATION

Model	Length(A)	Width(B)	Normal dimintions(mm)				Bathing well depth	Whirlpool jets	Air jets	Syllent Pump	Air blower	
			Height(C)	(D)	(E)	(F)						
6666C	65 3/4(1670)	65 3/4(1670)	22(558)	2(50)	18 1/2(469)	14(355)	7 1/4(184)	19(482)	14	11	9.4A	1030w



XO

6060DS

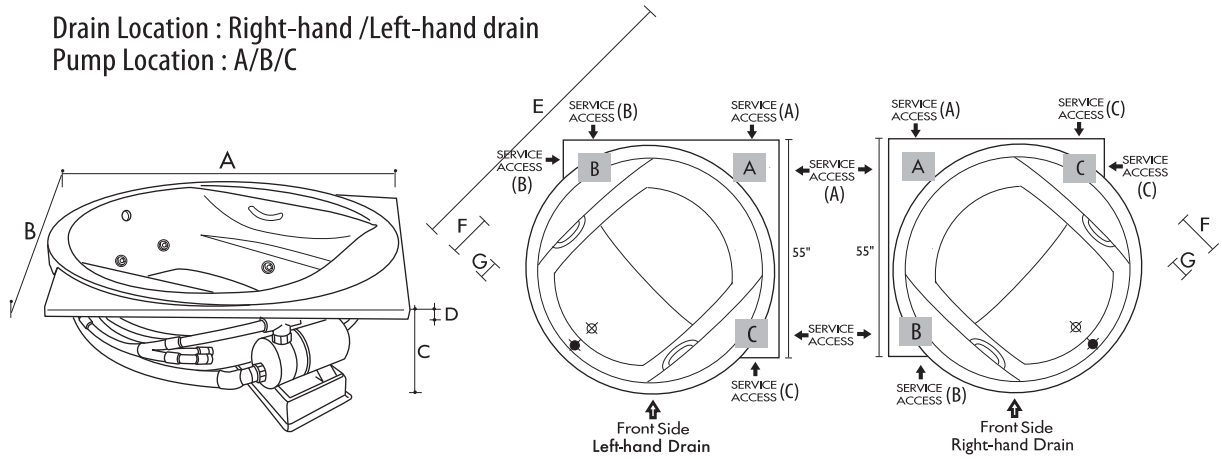
CORNER



MODEL : 6060DS

Drain Location : Right-hand /Left-hand drain

Pump Location : A/B/C



SPECIFICATION

Model	Length(A)	Width(B)	Normal dimenitions(mm)				Bathing well depth	Whirlpool jets	Air jets	Syllent Pump	Air blower	
			Height(C)	(D)	(E)	(F)						(G)
6060DS	60(1524)	60(1524)	25 1/2(647)	2(50)	72(1828)	10(254)	3 1/2(88)	23(584)	10	12	9.4A	1030w



XO

6060C

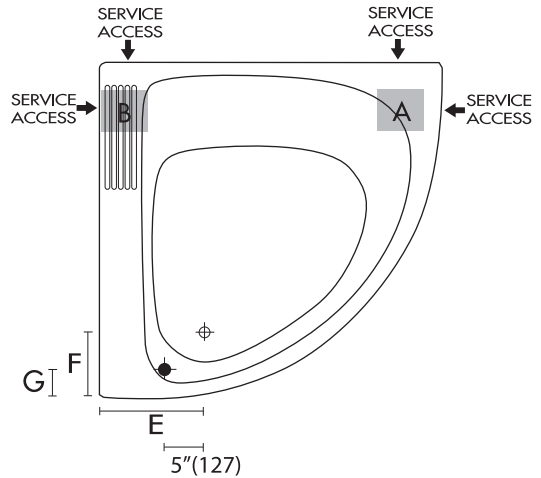
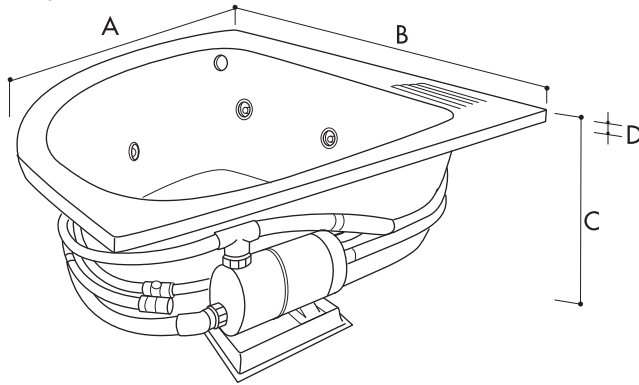
CORNER



MODEL : 6060C

Drain Location : Left-hand drain

Pump Location : A/B



SPECIFICATION

Model	Length(A)	Width(B)	Normal dimentions(mm)				(G)	Bathing well depth	Whirlpool jets	Air jets	Syllent Pump	Air blower
			Height(C)	(D)	(E)	(F)						
6060C	59 3/4(1517)	59 3/4(1517)	22(558)	2(50)	16(406)	11(279)	4 1/2(114)	19(482)	10	12	9.4A	1030w



XO

74440
72360

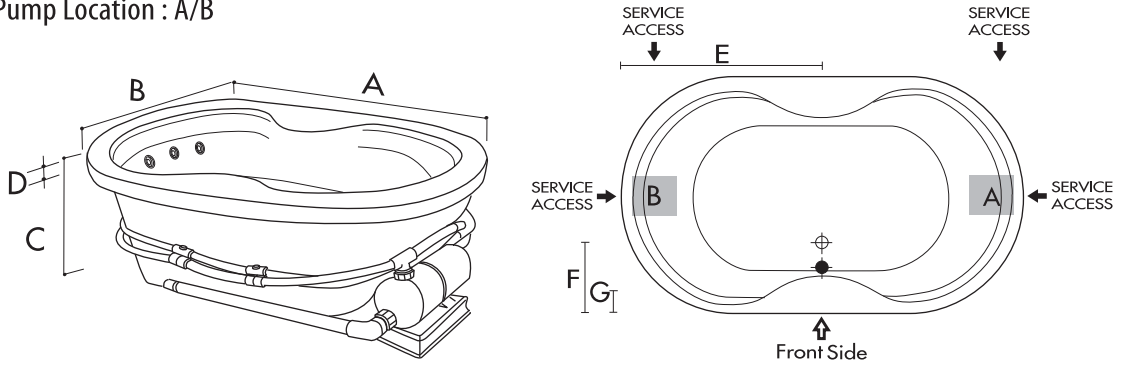
OVAL



MODEL : 7444O, 7236O

Drain Location : Center drain

Pump Location : A/B



SPECIFICATION

Model	Length(A)	Width(B)	Normal dimentions(mm)				Bathing well depth	Whirlpool jets	Air jets	Syllent Pump	Air blower	
			Height(C)	(D)	(E)	(F)						(G)
7444O	74(1879)	44(1117)	22(558)	2(50)	37(939)	12(304)	6 1/2(165)	20(508)	10	12	9.4A	1030w
7236O	72(1828)	36(914)	21(533)	2(50)	36(914)	10 1/2(266)	5 1/4(133)	19(482)	10	12	9.4A	1030w



XO

7242DS
7236DS

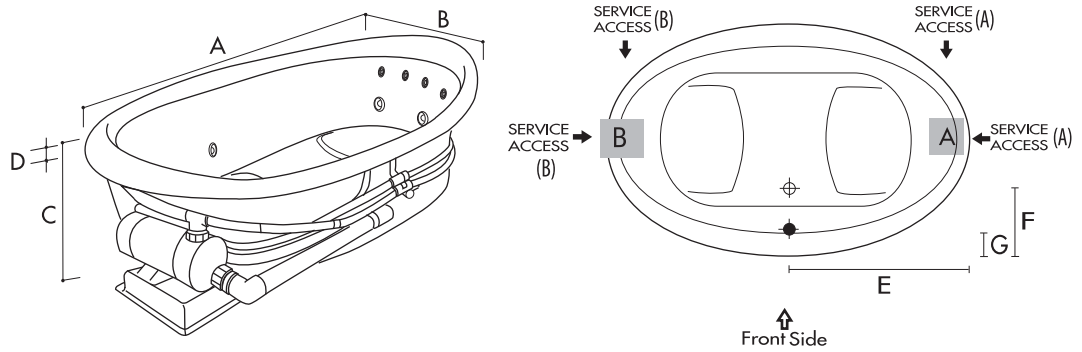
OVAL



MODEL : 7242DS, 7236DS

Drain Location : Center drain

Pump Location : A/B



SPECIFICATION

Model	Length(A)	Width(B)	Normal dimintions(mm)				Bathing well depth	Whirlpool jets	Air jets	Syllent Pump	Air blower
			Height(C)	(D)	(E)	(F)					
7242 DS	71 1/2(1816)	41 1/2(1054)	22 1/2(571)	1 1/2(38)	35 3/4(908)	11(279)	3 3/4(95)	20(508)	10	12	9.4A 1030w
7236 DS	72(1828)	36(914)	22 1/2(571)	1 1/2(38)	36(914)	10(254)	3 3/4(95)	20(508)	10	12	9.4A 1030w



XO

72420

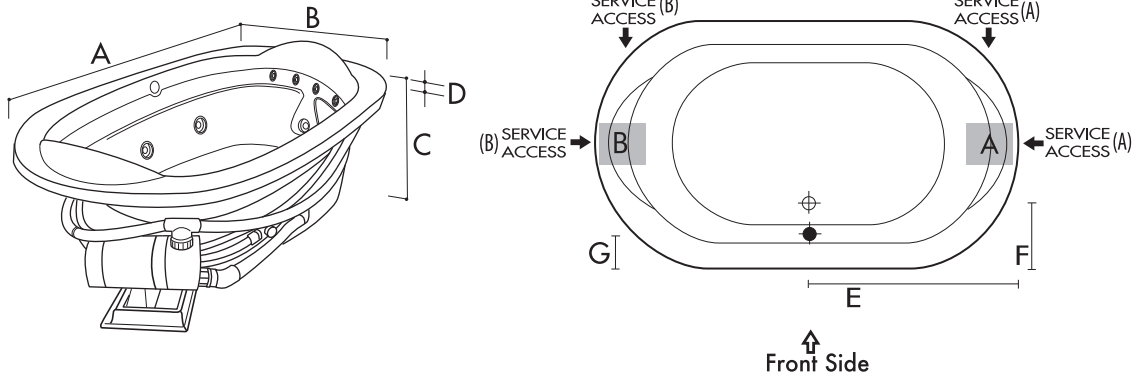
OVAL



MODEL : 7242O

Drain Location : Center drain

Pump Location : A/B



SPECIFICATION

Model	Length(A)	Width(B)	Normal dimenitions(mm)				Bathing well depth	Whirlpool jets	Air jets	Syllent Pump	Air blower	
			Height(C)	(D)	(E)	(F)						(G)
7242O	71 1/2(1816)	41(1041)	22 1/2(571)	2(50)	35 3/4(908)	10 3/4(273)	4(101)	20(508)	14	12	9.4A	1030w



XO

66420

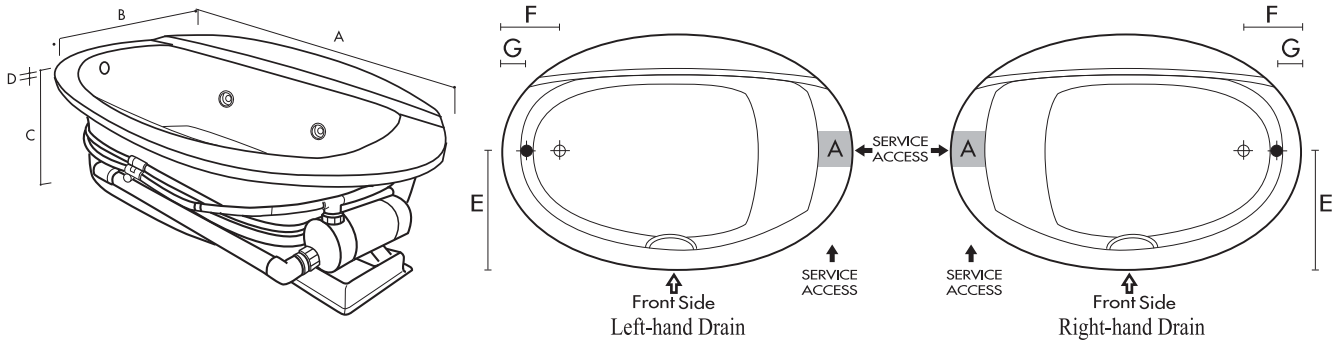
OVAL



MODEL : 6642O

Drain Location : Right-hand/ Left-hand drain

Pump Location : A



SPECIFICATION

Model	Length(A)	Width(B)	Normal dimenitions(mm)					Bathing well depth	Whirlpool jets	Air jets	Syllent Pump	Air blower
			Height(C)	(D)	(E)	(F)	(G)					
6642O	66(1676)	42(1066)	22(558)	11/2(38)	21(533)	10(254)	3 1/2(82)	19(482)	11	10	9.4A	1030w



XO

66360
64330

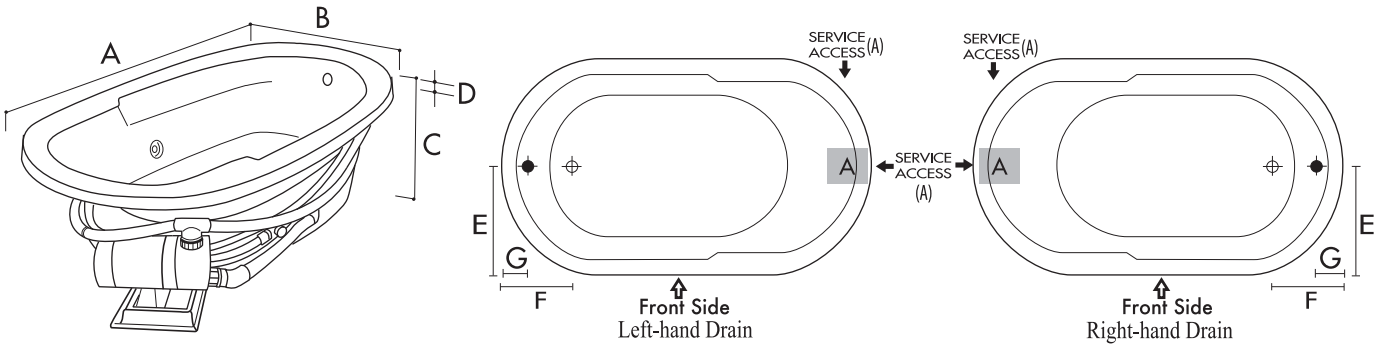
OVAL



MODEL : 6636O, 6433O

Drain Location : Right-hand/Left-hand drain

Pump Location : A



SPECIFICATION

Model	Length(A)	Width(B)	Normal dimentions(mm)					Bathing well depth	Whirlpool jets	Air jets	Syllent Pump	Air blower
			Height(C)	(D)	(E)	(F)	(G)					
6636 O	66(1676)	36(914)	21(533)	2(50)	18(457)	10(254)	4(101)	19(482)	11	10	9.4A	1030w
6433 O	63 3/4(1619)	32 3/4(831)	21(533)	2(50)	16 3/8(415)	9 1/2(241)	4(101)	19(482)	9	10	9.4A	1030w



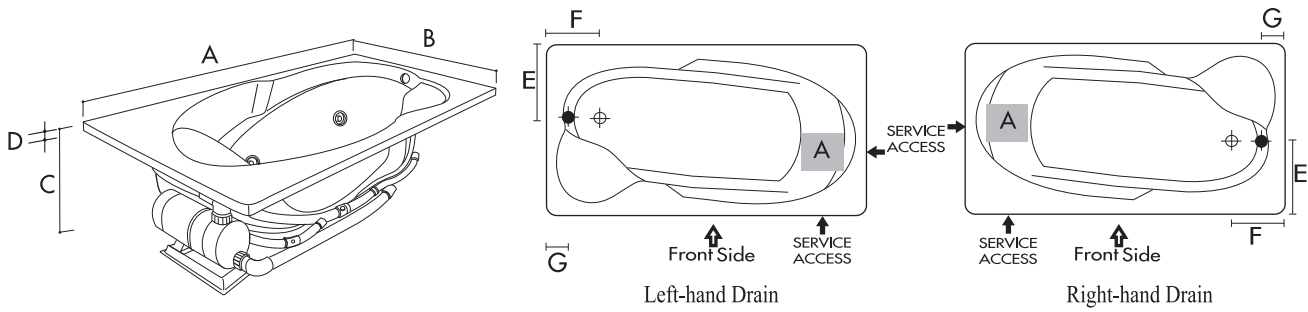
XO

6636RA
6034RA

RECTANGULAR



MODEL : 6636RA, 6034RA
 Drain Location : Right-hand/ Left-hand drain
 Pump Location : A



SPECIFICATION

Model	Length(A)	Width(B)	Normal dimentions(mm)					Bathing well depth	Whirlpool jets	Air jets	Syllent Pump	Air blower
			Height(C)	(D)	(E)	(F)	(G)					
6636RA	65 1/2(1663)	35 1/2(902)	22(558)	2(50)	15(381)	9 1/2(241)	3 1/2(88)	19(482)	10	10	9.4A	1030w
6034RA	59 1/2(1511)	33 1/2(851)	21(533)	2(50)	15(381)	10(254)	3 1/2(88)	18(457)	10	10	9.4A	1030w



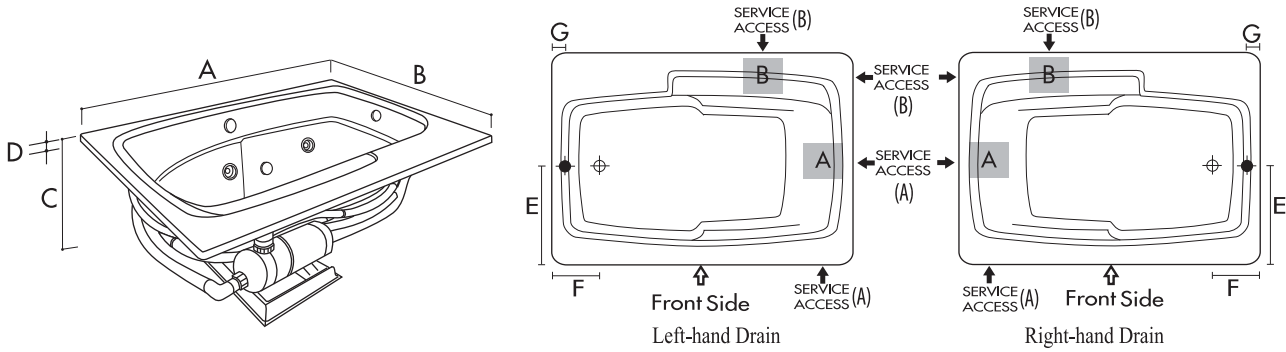
XO

7242RB
6642RB
6042RB

RECTANGULAR



MODEL : 7242RB, 6642RB, 6042RB
 Drain Location : Right-hand/ Left-hand Drain
 Pump Location : A/B



SPECIFICATION

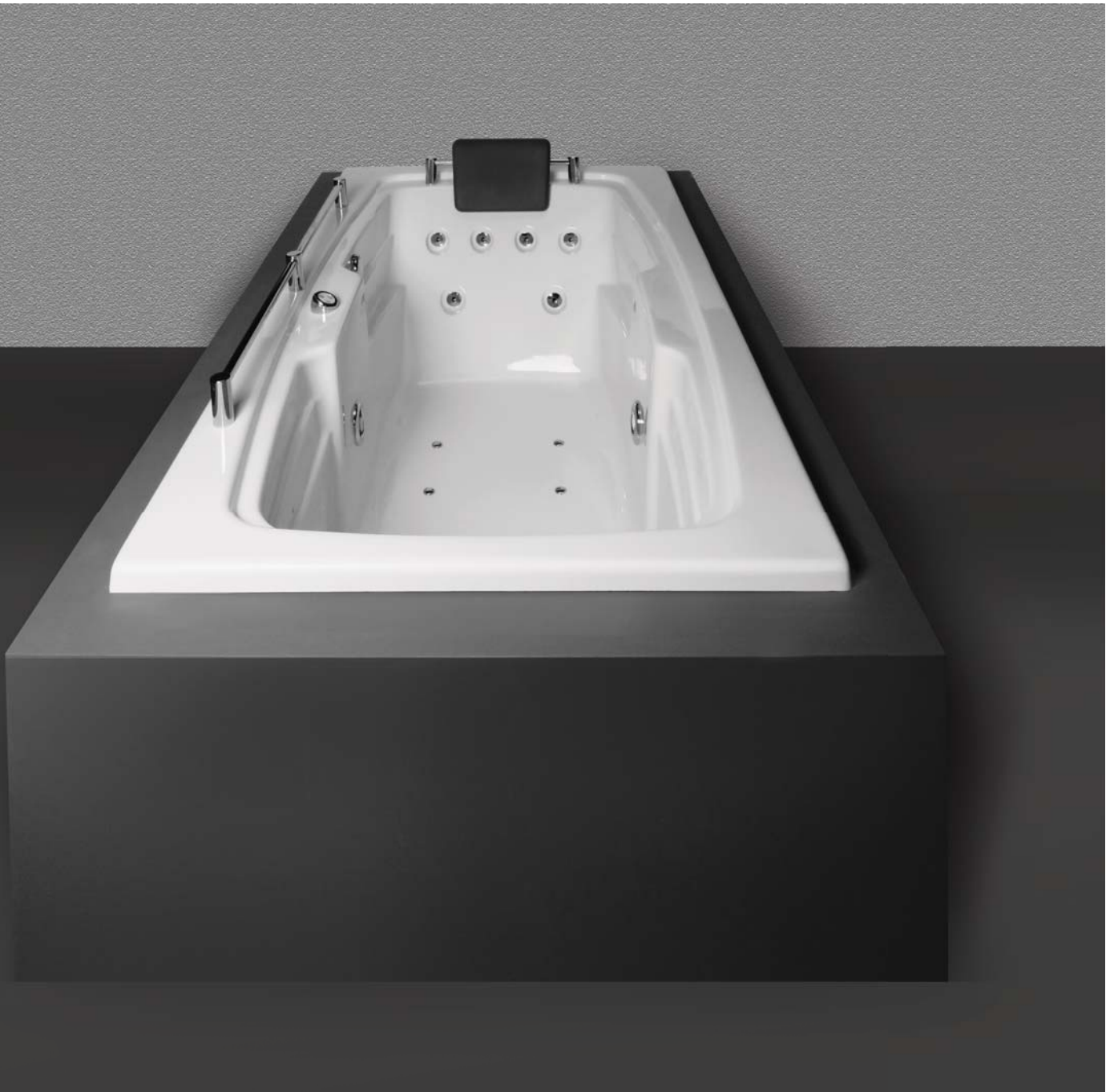
Model	Length(A)	Width(B)	Normal dimintions(mm)				Bathing well depth	Whirlpool jets	Air jets	Syllent Pump	Air blower	
			Height(C)	(D)	(E)	(F)						(G)
7242RB	71 1/2(1816)	41 3/4(1060)	22(558)	2(50)	19(482)	10 1/2(266)	3 3/4(95)	19(482)	10	10	9.4A	1030w
6642RB	65 3/4(1670)	41 3/4(1060)	21(533)	2(50)	19(482)	8 1/2(215)	3 3/4(95)	18(457)	10	10	9.4A	1030w
6042RB	60(1524)	41 3/4(1060)	21(533)	2(50)	19(482)	8 1/2(215)	3(75)	18(457)	10	10	9.4A	1030w



XO

7238RC
6638RC
6636RC
6332RC

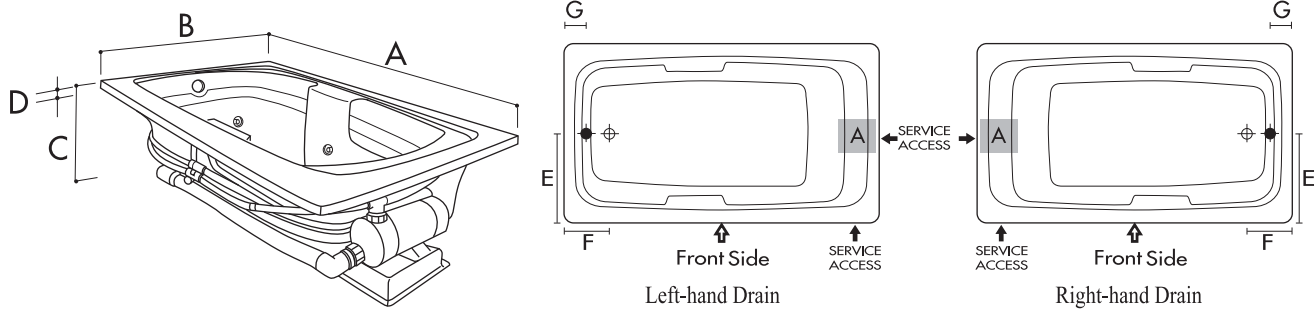
RECTANGULAR



MODEL : 7238RC, 6638RC, 6636RC, 6332RC

Drain Location : Right-hand/ Left-hand drain

Pump Location : A



SPECIFICATION

Model	Length(A)	Width(B)	Normal dimentions(mm)					Bathing well depth	Whirlpool jets	Air jets	Syllent Pump	Air blower
			Height(C)	(D)	(E)	(F)	(G)					
7238RC	71 3/4(1822)	38(965)	22(558)	2(50)	19(482)	11(279)	33/4(95)	19(482)	10	10	9.4A	1030w
6638RC	65 1/2(1663)	37 1/2(952)	22(558)	2(50)	18 3/4(476)	10(254)	33/4(95)	19(482)	10	10	9.4A	1030w
6636RC	65 3/4(1670)	36(914)	22(558)	1 1/2(38)	18(457)	10(254)	3 1/2(88)	19(482)	10	10	9.4A	1030w
6332RC	63(1600)	31 1/2(800)	21(533)	2(50)	15 3/4(400)	11(279)	3 1/2(88)	18(457)	9	10	9.4A	1030w



XO

6634RF

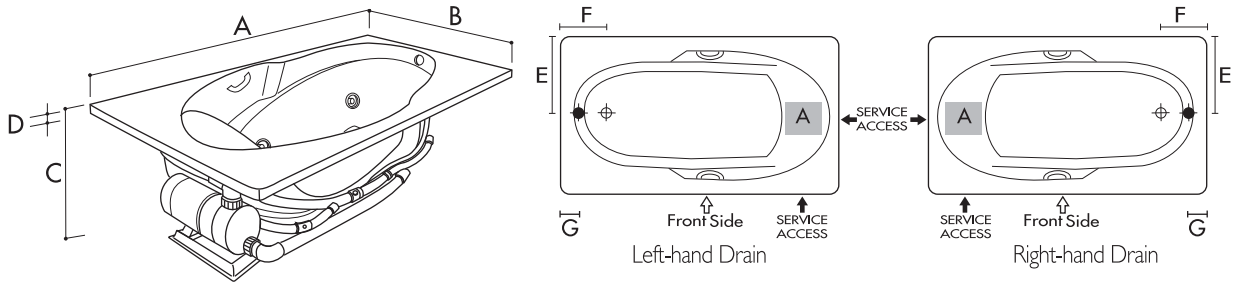
RECTANGULAR



MODEL : 6634RF

Drain Location : Right-hand/ Left-hand drain

Pump Location : A



SPECIFICATION

Model	Length(A)	Width(B)	Normal dimintions(mm)				Bathing well depth	Whirlpool jets	Air jets	Syllent Pump	Air blower
			Height(C)	(D)	(E)	(F)					
6634RF	65 1/2(1663)	33 1/2(850)	22(558)	2(50)	16 3/4(425)	10 1/2(266)	3(76)	19(482)	9	10	9.4A 1030w



XO

6032RH

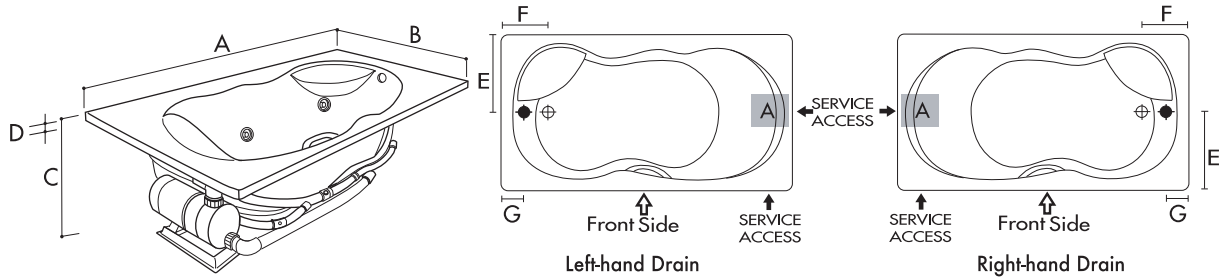
RECTANGULAR



MODEL : 6032RH

Drain Location : Right-hand/ Left-hand drain

Pump Location : A



SPECIFICATION

Model	Length(A)	Width(B)	Normal dimenitions(mm)					Bathing well depth	Whirlpool jets	Air jets	Syllent Pump	Air blower
			Height(C)	(D)	(E)	(F)	(G)					
6032RH	60(1524)	32(812)	21(533)	2(50)	16(406)	9(228)	3(76)	18(457)	11	10	9.4A	1030w



Deluxe-line Standard Features



Chrome electric switch
Air/ Whirlpool & light-on/off



Syllent® pump (no heater needed)
w/ Anti-vibration rubber mount legs



Water level sensor(dry-run protection)
20 minutes off-timer



Chrome micro whirlpool jets
w/ adjustable diverter valve



Chrome standard whirlpool jets



Chrome hi-volume suction



Underwater mood light
w/Multi-color LED light



Headrest II w/chrome support
(available models)



Chrome grab rail (available models)

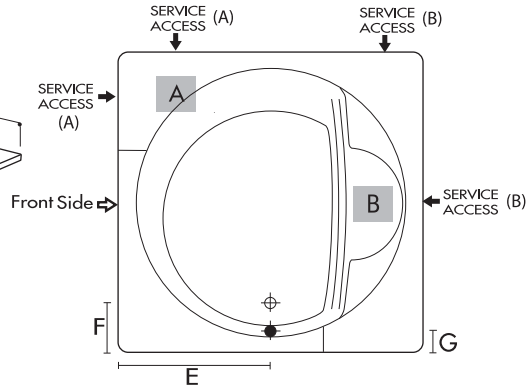
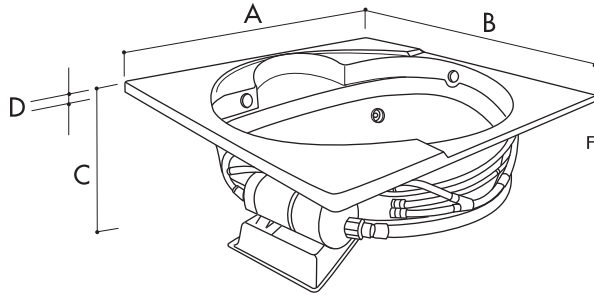
Deluxe

WHIRLPOOL MASSAGE SYSTEM

MODEL : 7272S, 6666S, 6060S

Drain Location : Right-hand drain

Pump Location : A/B



SPECIFICATION

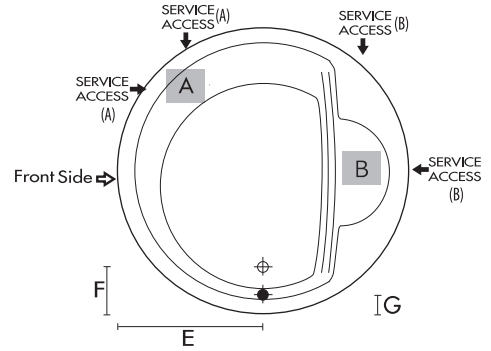
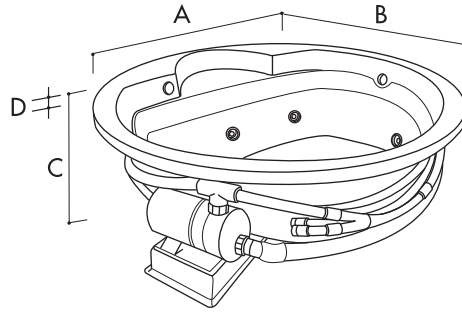
Model	Length(A)	Width(B)	Normal dimenitions(mm)				Bathing well depth	Whirlpool jets	Syllent Pump(A)	
			Height(C)	(D)	(E)	(F)				
7272S	71 1/2(1816)	71 1/2(1816)	21 1/2(546)	2 1/2(63)	35 3/4(908)	11 1/2(292)	4 1/4(107)	20(508)	10	9.4 A
6666S	65 1/2(1663)	65 1/2(1663)	20 1/2(520)	2 1/2(63)	32 3/4(831)	10 1/2(266)	3 3/4(95)	19(482)	10	9.4 A
6060S	59 1/2(1511)	59 1/2(1511)	20 1/2(520)	2 1/2(63)	29 3/4(755)	9(228)	3 1/2(88)	19(482)	10	9.4 A



MODEL : 7272R, 6666R, 6060R

Drain Location : Right-hand drain

Pump Location : A/B



SPECIFICATION

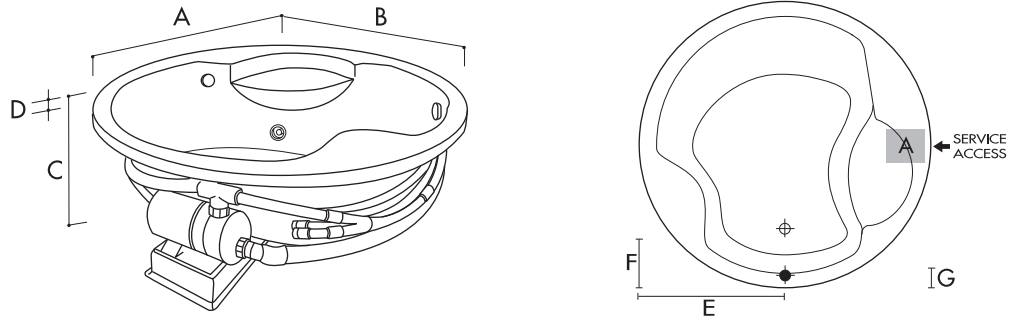
Model	Length(A)	Width(B)	Normal dimintions(mm)				Bathing well depth	Whirlpool jets	Syllent Pump(A)	
			Height(C)	(D)	(E)	(F)				
7272R	71 1/2(1816)	71 1/2(1816)	21 1/2(546)	2(50)	35 3/4(908)	11 1/2(292)	4 1/4(107)	20(508)	10	9.4 A
6666R	65 1/2(1663)	65 1/2(1663)	20 1/2(520)	2(50)	32 3/4(831)	10 1/2(266)	3 3/4(95)	19(482)	10	9.4 A
6060R	59 1/2(1511)	59 1/2(1511)	19 1/2(495)	2(50)	29 3/4(755)	9(228)	3 1/2(88)	18(457)	10	9.4 A



MODEL : 5555R

Drain Location : Right-hand drain

Pump Location : A



SPECIFICATION

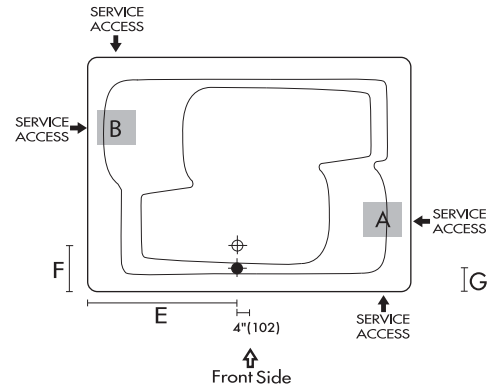
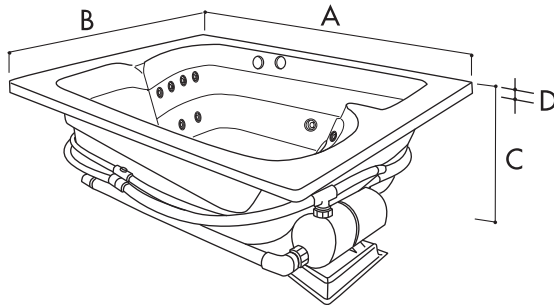
Model	Length(A)	Width(B)	Normal dimintions(mm)					Bathing well depth	Whirlpool jets	Air jets	Syllent Pump
			Height(C)	(D)	(E)	(F)	(G)				
5555R	54 1/2(1384)	54 1/2(1384)	22(558)	2(50)	27 1/4(692)	10(254)	33/4(95)	19(482)	9	10	9.4A



MODEL : 7260D

Drain Location : Center drain

Pump Location : A/B



SPECIFICATION

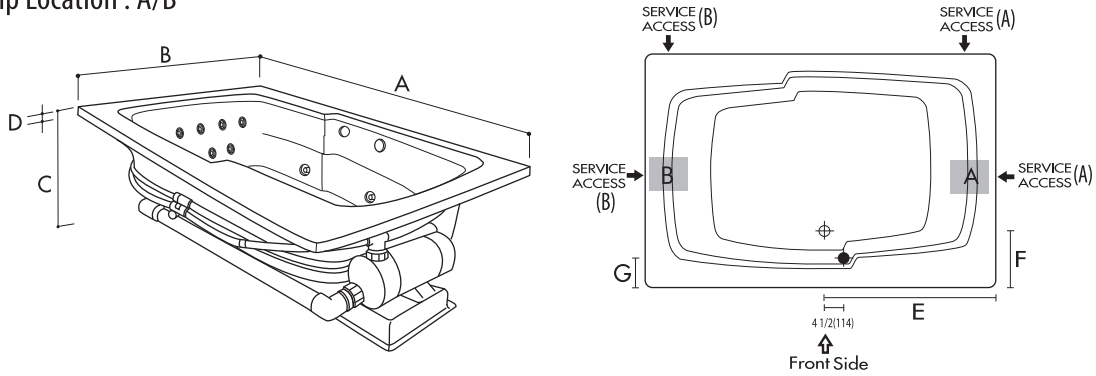
Model	Length(A)	Width(B)	Normal dimintions(mm)				Bathing well depth	Whirlpool jets	Syllent Pump	
			Height(C)	(D)	(E)	(F)				
7260D	71 1/2(1816)	59 3/4(1517)	21 1/2(546)	2(50)	32(812)	14(355)	5 1/2(139)	20(508)	16	9.4A



MODEL : 7248D, 7242D

Drain Location : Center drain

Pump Location : A/B

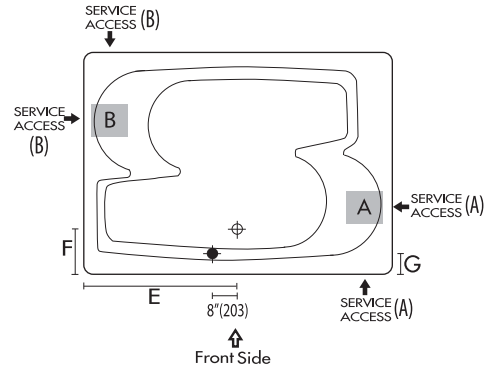
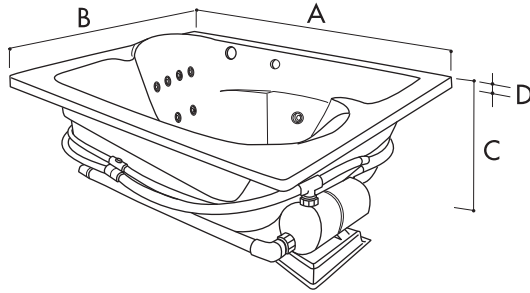


SPECIFICATION

Model	Length(A)	Width(B)	Normal dimentions(mm)				Bathing well depth	Whirlpool jets	Syllent Pump	
			Height(C)	(D)	(E)	(F)				
7248D	72(1828)	48(1219)	21 1/2(546)	2(50)	36(914)	12(304)	4 1/2(114)	20(508)	16	9.4A
7242D	72(1828)	42(1066)	21 1/2(546)	2(50)	36(914)	11(279)	3 1/2(88)	20(508)	16	9.4A



MODEL : 6648D
 Drain Location : Center drain
 Pump Location : A/B

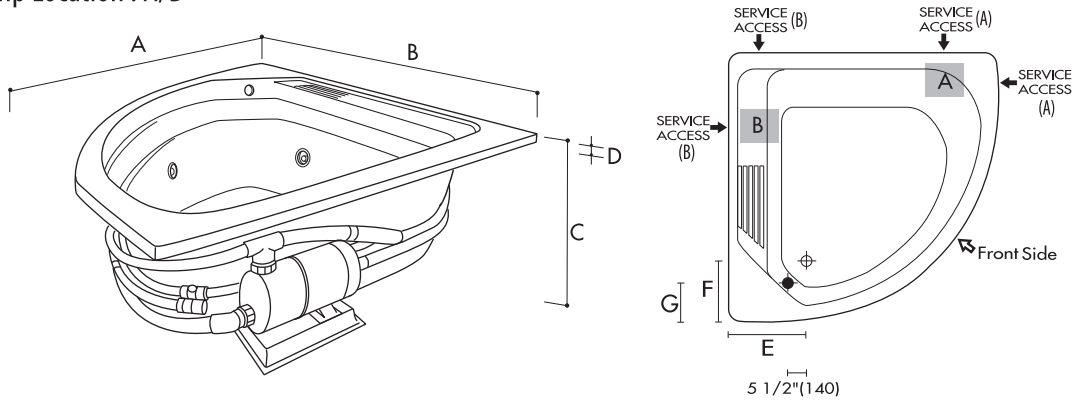


SPECIFICATION

Model	Length(A)	Width(B)	Normal dimintions(mm)				Bathing well depth	Whirlpool jets	Syllent Pump	
			Height(C)	(D)	(E)	(F)				
6648D	65 1/2(1663)	47 3/4(1212)	21 1/2(546)	2(50)	32 3/4(831)	8 1/2(215)	3 1/4(82)	20(508)	16	9.4A



MODEL : 6666C, 5555C
 Drain Location : Left-hand drain
 Pump Location : A/B



SPECIFICATION

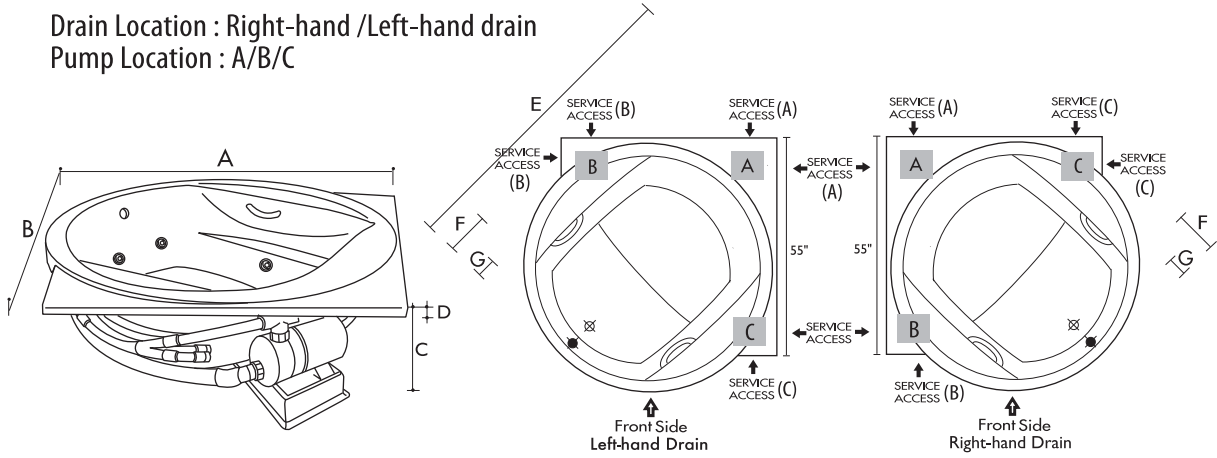
Model	Length(A)	Width(B)	Normal dimintions(mm)					Bathing well depth	Whirlpool jets	Syllent Pump
			Height(C)	(D)	(E)	(F)	(G)			
6666C	65 3/4(1670)	65 3/4(1670)	20 1/2(520)	2(50)	18 1/2(469)	14(355)	7 1/4(184)	19(482)	14	9.4A
5555C	54 3/4(1390)	54 3/4(1390)	19 1/2(495)	2(50)	16(406)	12 1/2(317)	7 1/4(184)	18(457)	10	9.4A



MODEL : 6060DS

Drain Location : Right-hand /Left-hand drain

Pump Location : A/B/C



SPECIFICATION

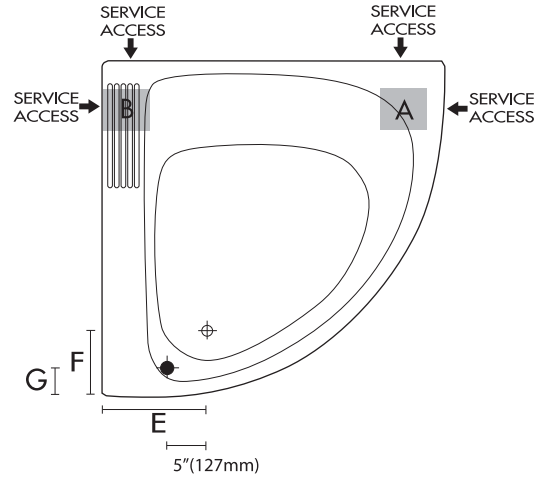
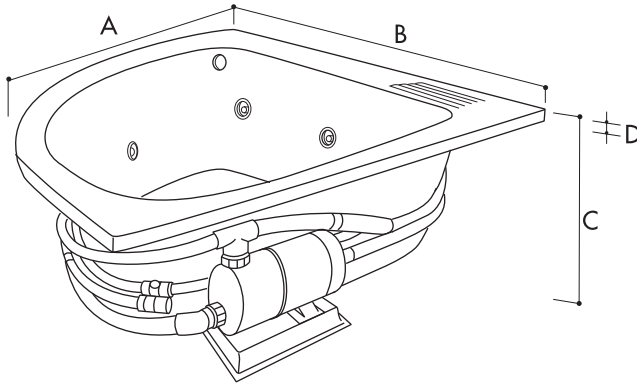
Model	Length(A)	Width(B)	Normal dimintions(mm)			Bathing well depth	Whirlpool jets	Syllent Pump		
			Height(C)	(D)	(E)					
6060DS	60(1524)	60(1524)	24 1/2(622)	2(50)	72(1828)	10(254)	3 1/2(88)	23(584)	10	9.4A



MODEL : 6060C

Drain Location : Left-hand drain

Pump Location : A/B



SPECIFICATION

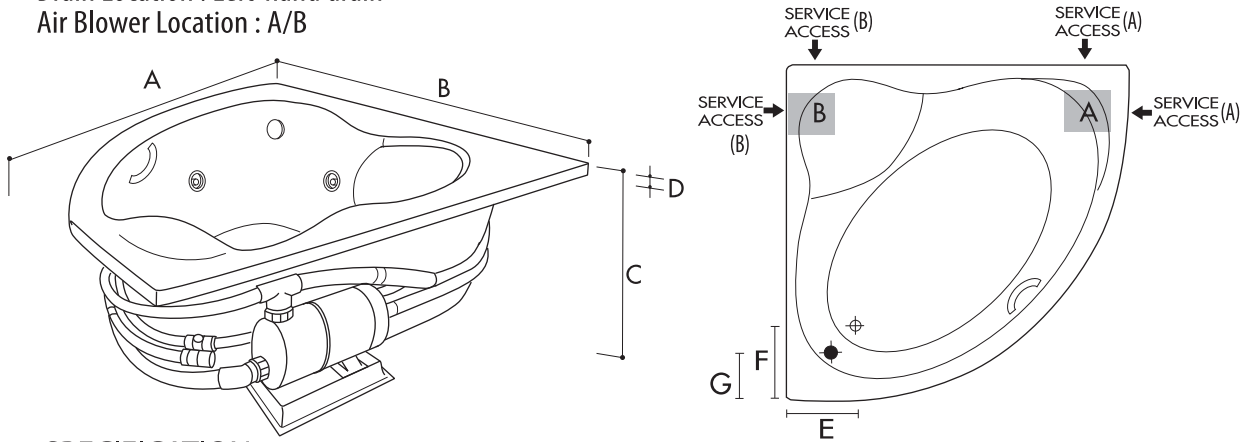
Model	Length(A)	Width(B)	Normal dimenions(mm)				(G)	Bathing well depth	Whirlpool jets	Air jets	Syllent Pump	Air blower
			Height(C)	(D)	(E)	(F)						
6060C	59 3/4(1517)	59 3/4(1517)	22(558)	2(50)	16(406)	11(279)	4 1/2(114)	19(482)	10	12	9.4A	1030w



MODEL : 5151C

Drain Location : Left-hand drain

Air Blower Location : A/B



SPECIFICATION

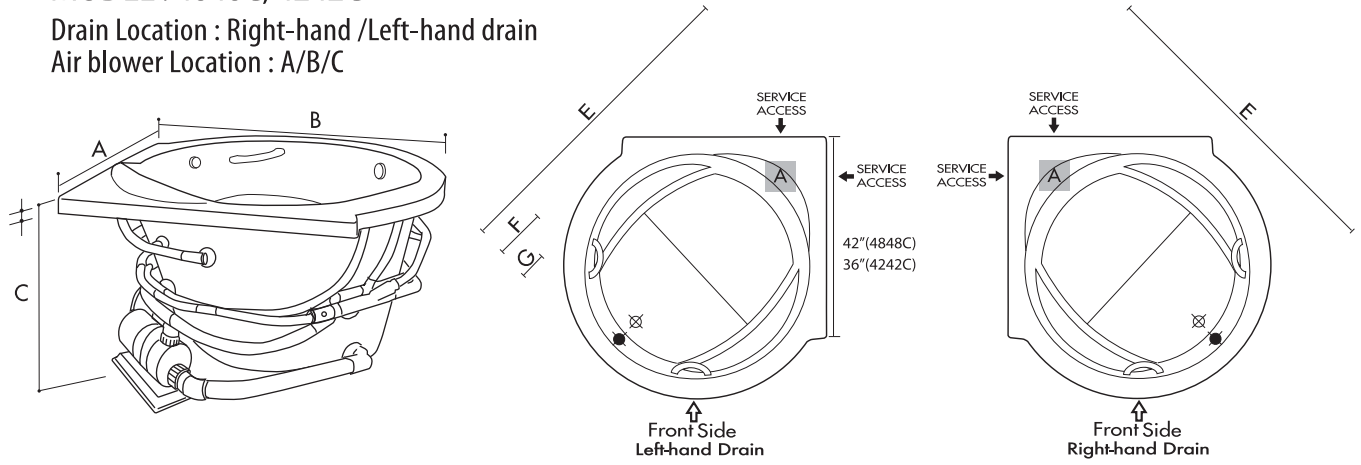
Model	Length(A)	Width(B)	Normal dimentions(mm)				Bathing well depth	Whirlpool jets	Syllent Pump	
			Height(C)	(D)	(E)	(F)				
5151C	51(1295)	51(1295)	19 1/2(495)	1 1/2(38)	10 1/4(260)	11(279)	6(152)	18(457)	5	9.4A



MODEL : 4848C, 4242C

Drain Location : Right-hand /Left-hand drain

Air blower Location : A/B/C



SPECIFICATION

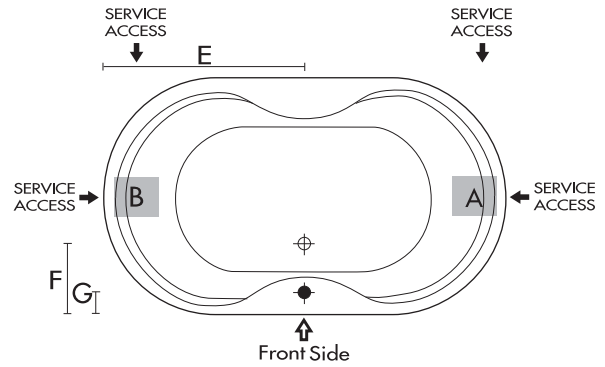
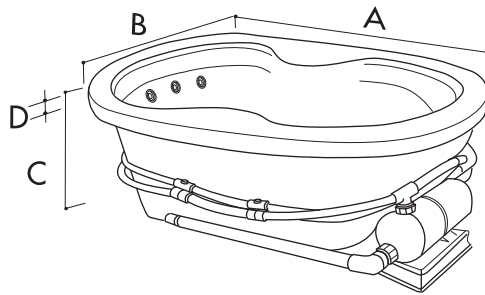
Model	Length(A)	Width(B)	Height(C)	Normal dimentions(mm)				Bathing well depth	Whirlpool jets	Syllent Pump
				(D)	(E)	(F)	(G)			
4848C	48(1219)	48(1219)	27 1/2(698)	2(50)	57 1/2(1460)	10 1/2(266)	3 1/2(89)	26(660)	11	9.4A
4242C	42(1067)	42(1067)	28(711)	2(50)	50 1/2(1282)	9 1/2(241)	3 1/2(89)	26 1/2(673)	11	9.4A



MODEL : 74440, 72360

Drain Location : Center drain

Pump Location : A/B



SPECIFICATION

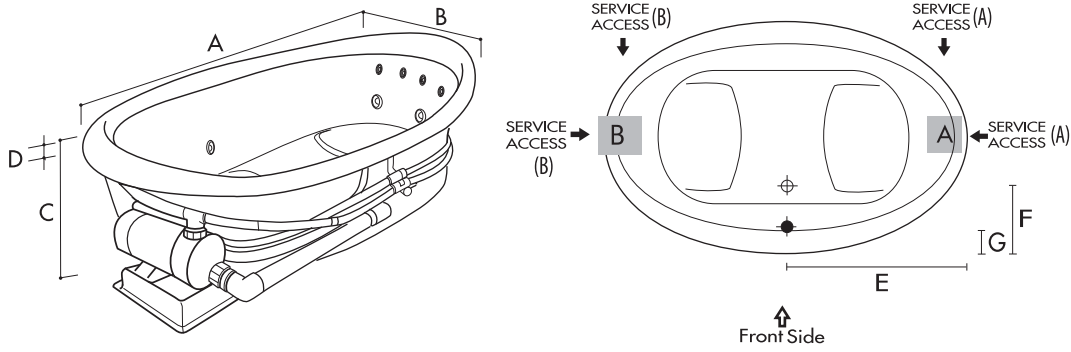
Model	Length(A)	Width(B)	Normal dimentions(mm)				Bathing well depth	Whirlpool jets	Syllent Pump	
			Height(C)	(D)	(E)	(F)				(G)
74440	74(1879)	44(1117)	21 1/2(546)	2(50)	37(939)	12(304)	6 1/2(165)	20(508)	10	9.4A
72360	72(1828)	36(914)	20 1/2(520)	2(50)	36(914)	10 1/2(266)	5 1/4(133)	19(482)	10	9.4A



MODEL : 7242DS, 7236DS

Drain Location : Center drain

Pump Location : A/B



SPECIFICATION

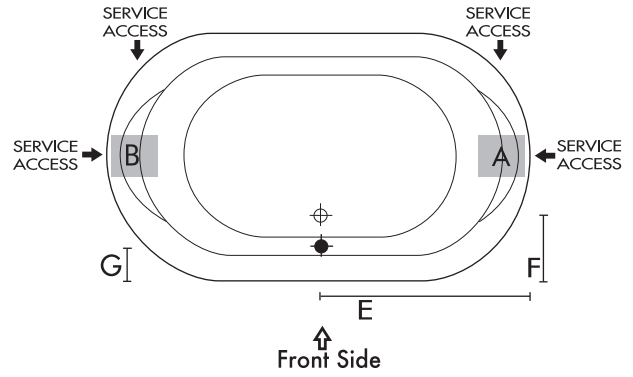
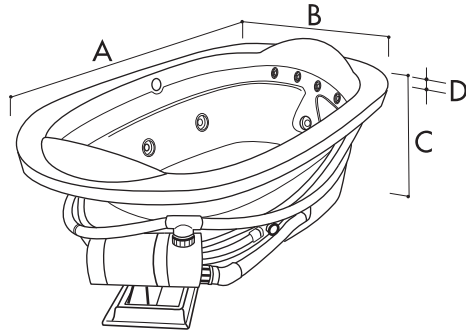
Model	Length(A)	Width(B)	Normal dimentions(mm)				Bathing well depth	Whirlpool jets	Syllent Pump	
			Height(C)	(D)	(E)	(F)				
7242DS	71 1/2(1816)	41 1/2(1054)	21 1/2(546)	1 1/2(38)	35 3/4(908)	11(279)	3 3/4(95)	20(508)	10	9.4A
7236DS	72(1828)	36(914)	21 1/2(546)	1 1/2(38)	36(914)	10(254)	3 3/4(95)	20(508)	10	9.4A



MODEL : 72420

Drain Location : Center drain

Pump Location : A/B



SPECIFICATION

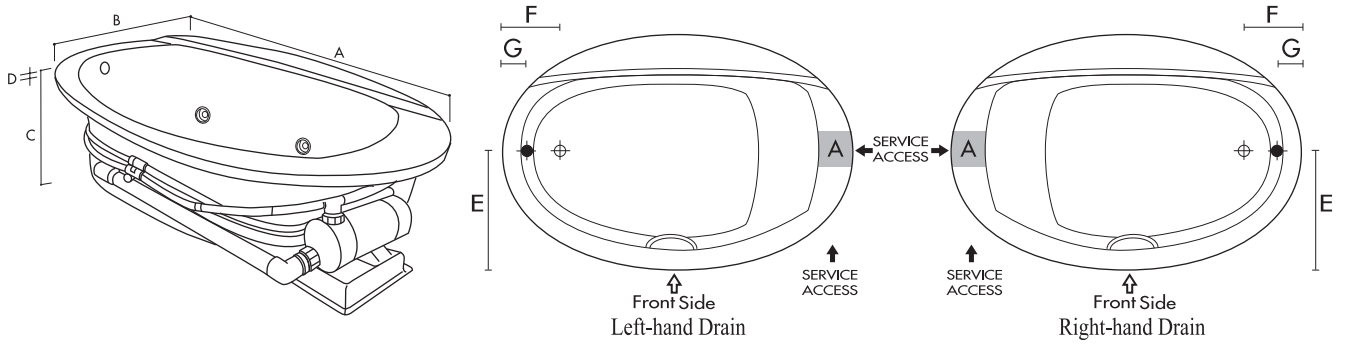
Model	Length(A)	Width(B)	Normal dimintions(mm)				Bathing well depth	Whirlpool jets	Syllent Pump	
			Height(C)	(D)	(E)	(F)				(G)
72420	71 1/2(1816)	41(1041)	21 1/2(546)	2(50)	35 3/4(908)	10 3/4(273)	4(101)	20(508)	14	9.4A



MODEL : 66420

Drain Location : Right-hand/ Left-hand drain

Pump Location : A



SPECIFICATION

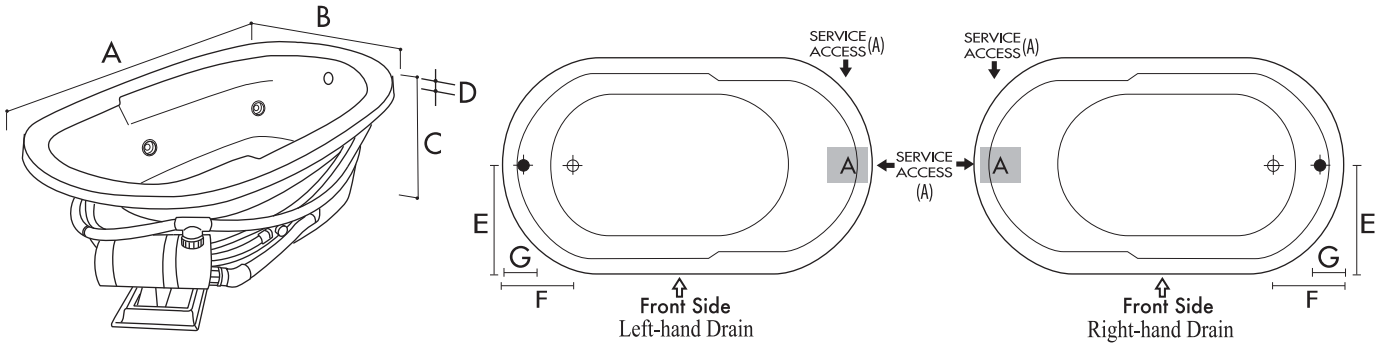
Model	Length(A)	Width(B)	Normal dimenions(mm)					Bathing well depth	Whirlpool jets	Syllent Pump
			Height(C)	(D)	(E)	(F)	(G)			
66420	66(1676)	42(1066)	20 1/2(520)	11 1/2(38)	21(533)	10(254)	3 1/2(82)	19(482)	11	9.4A



MODEL : 66360, 64330

Drain Location : Right-hand/Left-hand drain

Pump Location : A



SPECIFICATION

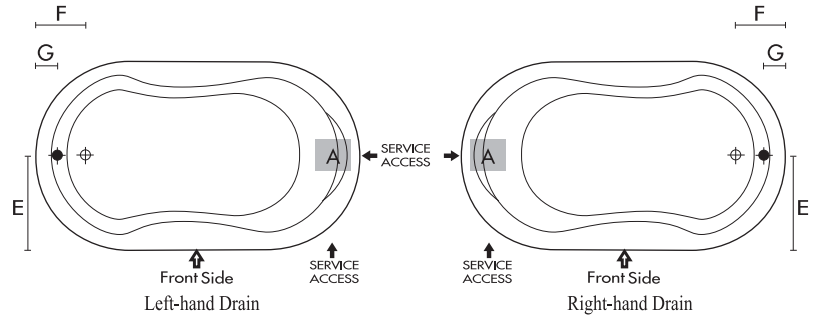
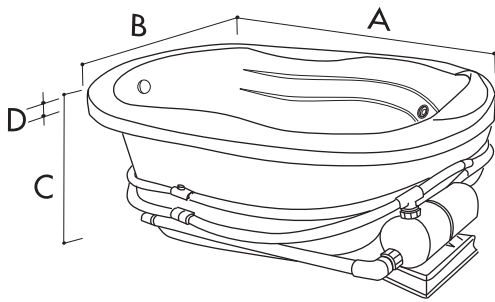
Model	Length(A)	Width(B)	Normal dimentions(mm)					Bathing well depth	Whirlpool jets	Syllent Pump
			Height(C)	(D)	(E)	(F)	(G)			
66360	66(1676)	36(914)	20 1/2(520)	2(50)	18(457)	10 (254)	4(101)	19(482)	11	9.4A
64330	63 3/4(1619)	32 3/4(831)	20 1/2(520)	2(50)	16 3/8(415)	9 1/2(241)	4(101)	19(482)	9	9.4A



MODEL : 60400, 60360

Drain Location : Right-hand/ Left-hand

Pump Location : A



SPECIFICATION

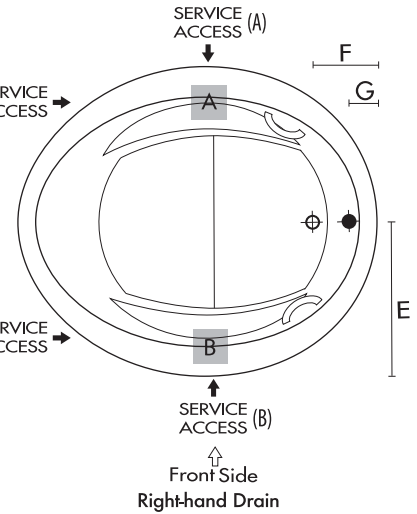
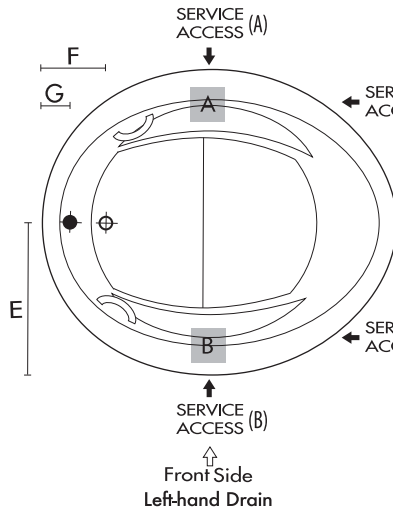
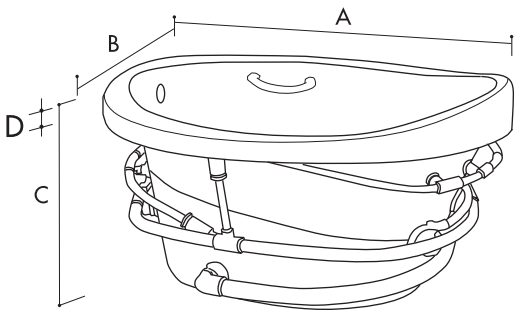
Model	Length(A)	Width(B)	Normal dimenions(mm)				Bathing well depth	Whirlpool jets	Syllent Pump	
			Height(C)	(D)	(E)	(F)				(G)
60400	60(1524)	40(1016)	19 1/2(495)	2(50)	20(508)	9(228)	3 1/2(88)	18(457)	10	9.4A
60360	60(1524)	36(914)	19 1/2(495)	2(50))	18(457)	9(228)	3 1/2(88)	18(457)	10	9.4A



MODEL : 48420

Drain Location : Right-hand/ Left-hand drain

Pump Location : A/B



SPECIFICATION

Model	Length(A)	Width(B)	Normal dimitions(mm)				(F)	(G)	Bathing well depth	Whirlpool jets	Syllent Pump
			Height(C)	(D)	(E)						
48420	48(1219)	42(1066)	24 1/2(622)	11 1/2(38)	21(533)	10 1/2(266)	3 1/2(88)	23(584)	8	9.4A	



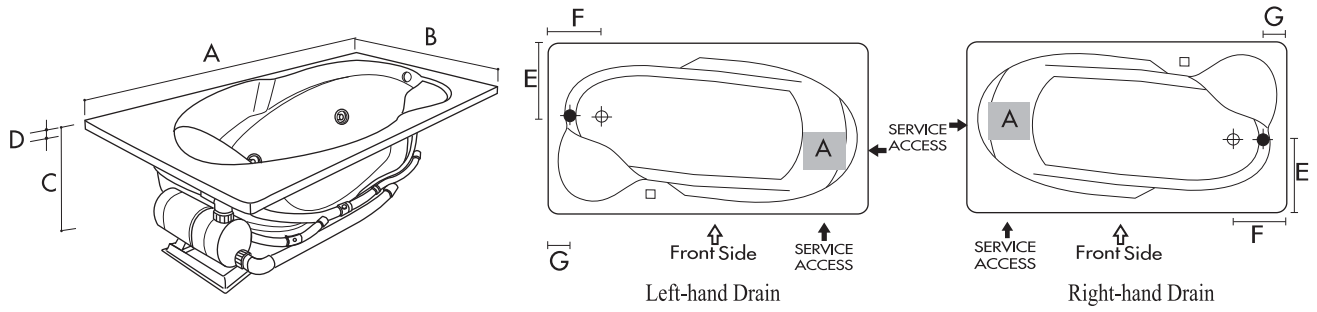
6636RA
6034RA

RECTANGULAR

MODEL : 6636RA, 6034RA

Drain Location : Right-hand/ Left-hand drain

Pump Location : A



SPECIFICATION

Model	Length(A)	Width(B)	Normal dimentions(mm)				Bathing well depth	Whirlpool jets	Syllent Pump	
			Height(C)	(D)	(E)	(F)				(G)
6636RA	65 1/2(1663)	35 1/2(902)	20 1/2(520)	2(50)	15(381)	9 1/2(241)	3 1/2(88)	19(482)	10	9.4A
6034RA	59 1/2(1511)	33 1/2(851)	19 1/2(495)	2(50)	15(381)	10(254)	3 1/2(88)	18(457)	10	9.4A

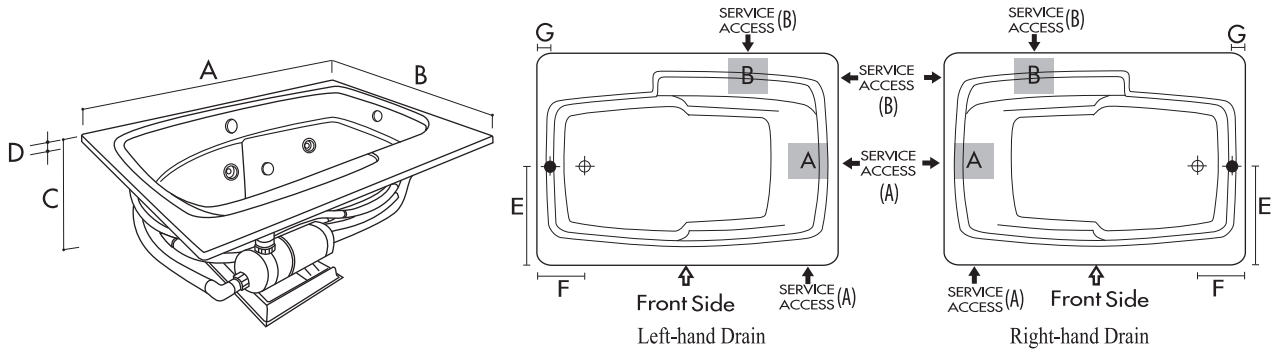


7242RB
6642RB
6042RB

Deluxe

RECTANGULAR

MODEL : 7242RB, 6642RB, 6042RB
Drain Location : Right-hand/ Left-hand Drain
Pump Location : A/B



SPECIFICATION

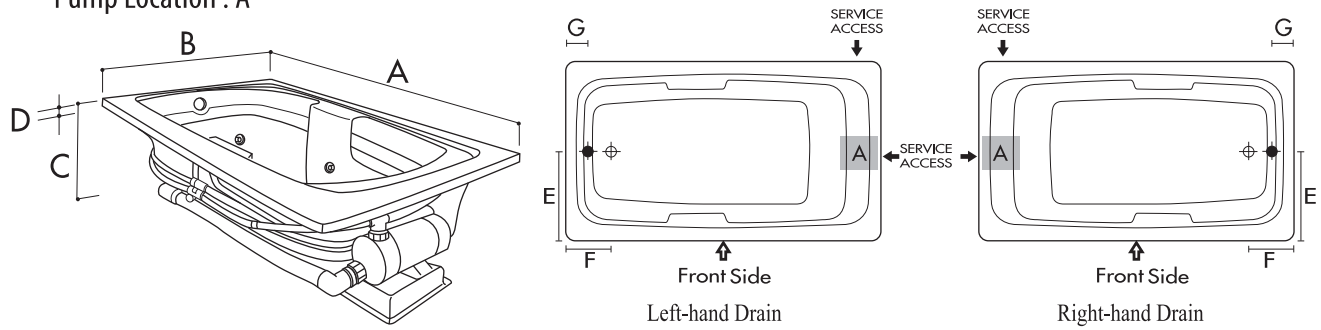
Model	Length(A)	Width(B)	Normal dimentions(mm)				Bathing well depth	Whirlpool jets	Syllent Pump	
			Height(C)	(D)	(E)	(F)				
7242RB	71 1/2(1816)	41 3/4(1060)	20 1/2(520)	2(50)	19(482)	10 1/2(266)	3 3/4(95)	19(482)	10	9.4A
6642RB	65 3/4(1670)	41 3/4(1060)	19 1/2(495)	2(50)	19(482)	8 1/2(215)	3 3/4(95)	18(457)	10	9.4A
6042RB	60(1524)	41 3/4(1060)	19 1/2(495)	2(50)	19(482)	8 1/2(215)	3(76)	18(457)	10	9.4A



MODEL : 7238RC, 6638RC, 6636RC, 6332RC

Drain Location : Right-hand/ Left-hand drain

Pump Location : A



SPECIFICATION

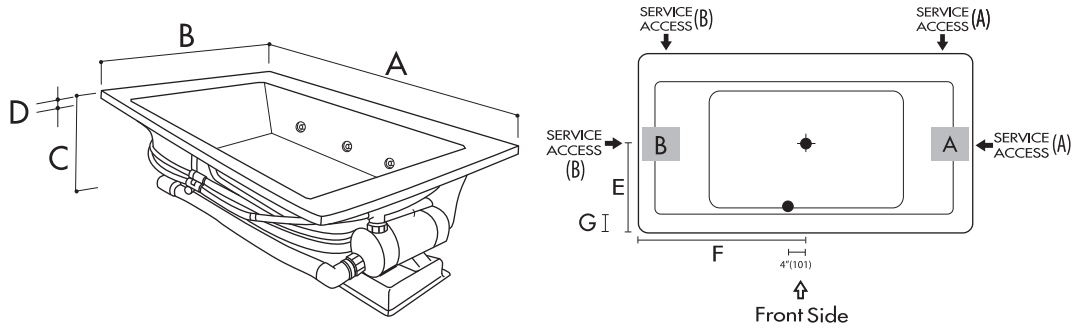
Model	Length(A)	Width(B)	Normal dimenitions(mm)				Bathing well depth	Whirlpool jets	Syllent Pump	
			Height(C)	(D)	(E)	(F)				(G)
7238RC	72(1828)	38(965)	20 1/2(520)	2(50)	19(482)	11(279)	3 3/4(95)	19(482)	10	9.4A
6638RC	66(1676)	38(965)	20 1/2(520)	2(50)	19(482))	10(254)	3 3/4(95)	19(482)	10	9.4A
6636RC	65 3/4(1670)	36(914)	20 1/2(520)	1 1/2(38)	18(457)	10(254)	3 1/2(88)	19(482)	10	9.4A
6332RC	63(1600)	31 1/2(800)	19 1/2(495)	2(50)	15 3/4(400)	11(279)	3 1/2(88)	18(457)	9	9.4A



MODEL : 7236RD, 6634RD

Drain Location : Center drain

Pump Location : A/B



SPECIFICATION

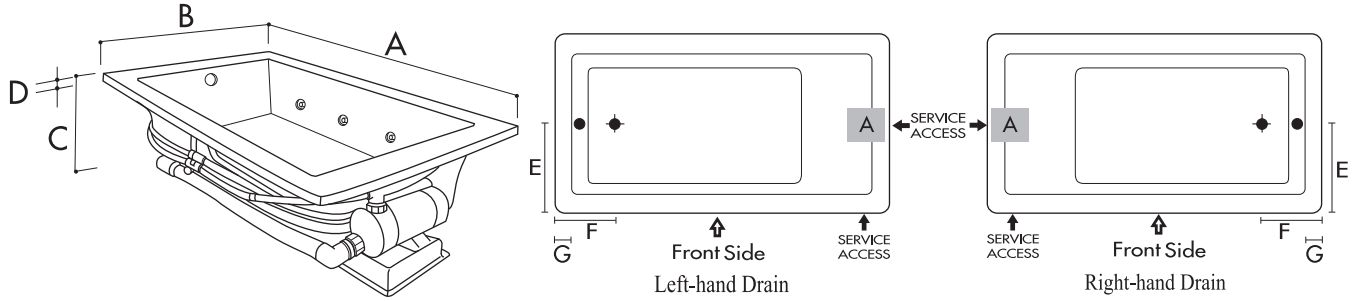
Model	Length(A)	Width(B)	Normal dimentions(mm)				Bathing well depth	Whirlpool jets	Syllent Pump	
			Height(C)	(D)	(E)	(F)				
7236RD	72(1828)	36(914)	20 1/2(520)	1 1/2(38)	17(431)	36(914)	3(76)	19(482)	6	9.4A
6634RD	66(1676)	34(863)	20(508)	1 1/2(38)	16(406)	33(838)	3(76)	18 1/2(469)	6	9.4A



6036RE
6032RE
6030RE

RECTANGULAR

MODEL : 6036RE, 6032RE, 6030RE
Drain Location : Right-hand/ Left-hand drain
Pump Location : A



SPECIFICATION

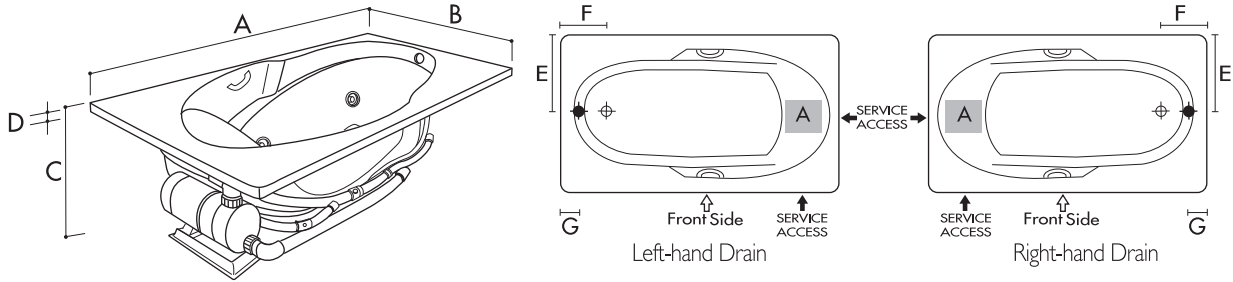
Model	Length(A)	Width(B)	Normal dimentions(mm)					Bathing well depth	Whirlpool jets	Syllent Pump
			Height(C)	(D)	(E)	(F)	(G)			
6036RE	60(1524)	36(914)	19 1/2(495)	1 1/2(38)	18(457)	9(228)	3 1/2(88)	18(457)	6	9.4A
6032RE	60(1524)	32(812)	19 1/2(495)	1 1/2(38)	16(406)	9(228)	3 1/2(88)	18(457)	6	9.4A
6030RE	60(1524)	30(762)	19 1/2(495)	1 1/2(38)	15(381)	9(228)	3 1/2(88)	18(457)	6	9.4A



MODEL : 6634RF, 6032RF

Drain Location : Right-hand/ Left-hand drain

Pump Location : A



SPECIFICATION

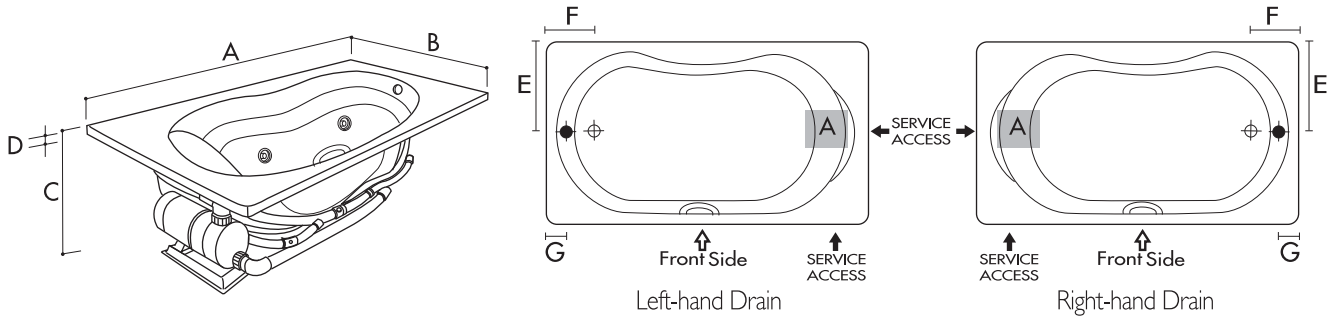
Model	Length(A)	Width(B)	Normal dimentions(mm)				Bathing well depth	Whirlpool jets	Syllent Pump	
			Height(C)	(D)	(E)	(F)				(G)
6634RF	65 1/2(1663)	33 1/2(850)	20 1/2(520)	2(50)	16 3/4(425)	10 1/2(266)	3(76)	19(482)	9	9.4A
6032RF	59 1/2(1511)	31 1/2(800)	18 1/2(469)	2(50)	15 3/4(400)	10(254)	3(76)	17(431)	9	9.4A



MODEL : 603oRG

Drain Location : Right-hand/ Left-hand drain

Pump Location : A



SPECIFICATION

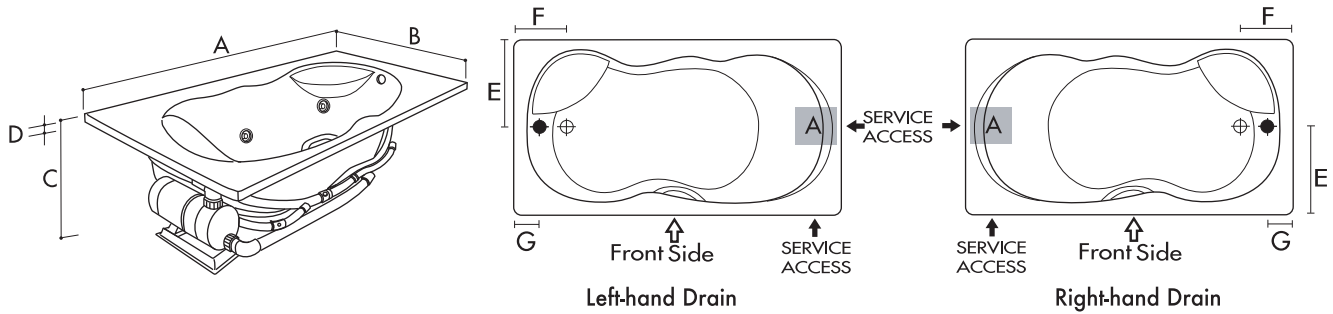
Model	Length(A)	Width(B)	Normal dimentions(mm)				Bathing well depth	Whirlpool jets	Syllent Pump	
			Height(C)	(D)	(E)	(F)				(G)
6030RG	59 1/2(1511)	29 1/2(749)	20 1/2(520)	2(50)	14 3/4(374)	9 1/2(241)	3(76)	19(482)	10	9.4A



MODEL : 6032RH

Drain Location : Right-hand/ Left-hand drain

Pump Location : A



SPECIFICATION

Model	Length(A)	Width(B)	Normal dimentions(mm)				Bathing well depth	Whirlpool jets	Syllent Pump	
			Height(C)	(D)	(E)	(F)				
6032RH	60(1524)	32(812)	19 1/2(495)	2(50)	16(406)	9(228)	3(76)	18(457)	11	9.4A



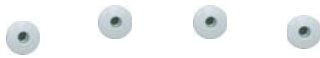
Econo-line Standard Features



Chrome pneumatic switch & air controls
Whirlpool on/off



Pump/ motor



Plastic micro whirlpool jets



Plastic diverter valve



Plastic standard whirlpool jets



Plastic hi-volume suction

Econo

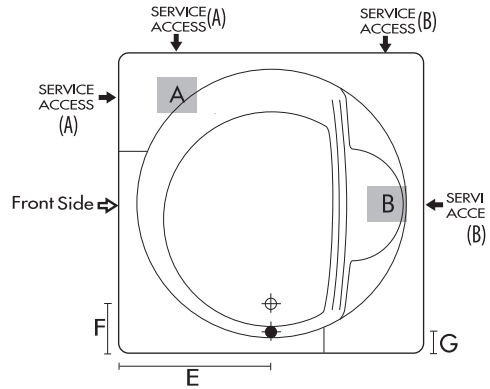
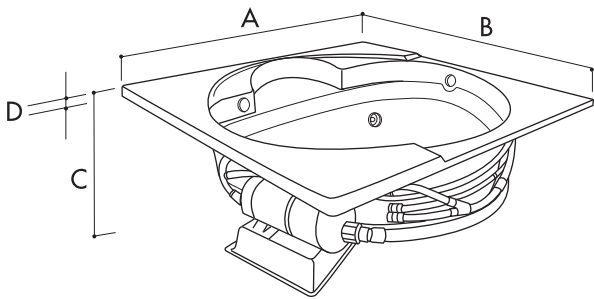
WHIRLPOOL MASSAGE SYSTEM



MODEL : 7272S, 6666S, 6060S

Drain Location : Right-hand drain

Pump Location : A/B



SPECIFICATION

Model	Length(A)	Width(B)	Height(C)	Normal dimensions(mm)		(F)	(G)	Bathing well depth	Whirlpool jets	Pump(A)
				(D)	(E)					
7272S	71 1/2(1816)	71 1/2(1816)	21 1/2(546)	2 1/2(63)	35 3/4(908)	11 1/2(292)	4 1/4(107)	20(508)	10	9.0 A
6666S	65 1/2(1663)	65 1/2(1663)	20 1/2(520)	2 1/2(63)	32 3/4(831)	10 1/2(266)	3 3/4(95)	19(482)	10	9.0 A
6060S	59 1/2(1511)	59 1/2(1511)	20 1/2(520)	2 1/2(63)	29 3/4(755)	9(228)	3 1/2(88)	19(482)	10	9.0 A

ROUND

7272R
6666R
6060R

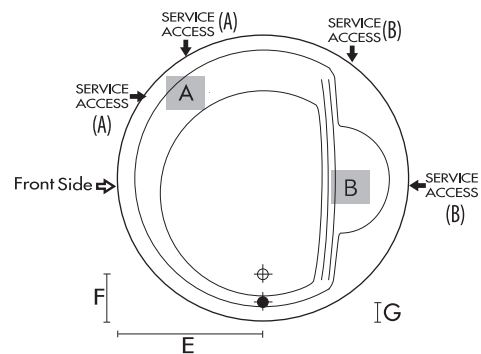
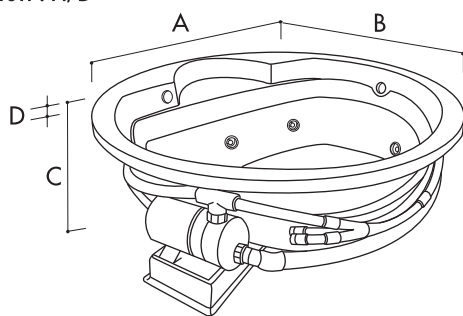
Econo



MODEL : 7272R, 6666R, 6060R

Drain Location : Right-hand drain

Pump Location : A/B



SPECIFICATION

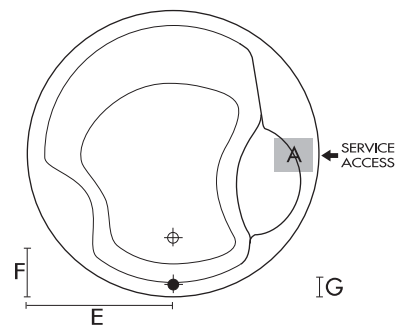
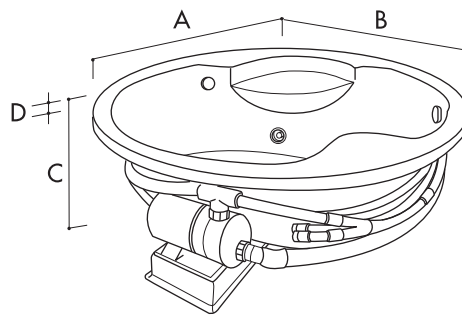
Model	Length(A)	Width(B)	Normal dimintions(mm)				Bathing well depth	Whirlpool jets	Pump(A)	
			Height(C)	(D)	(E)	(F)				
7272R	71 1/2(1816)	71 1/2(1816)	21 1/2(546)	2(50)	35 3/4(908)	11 1/2(292)	4 1/4(107)	20(508)	10	9.0 A
6666R	65 1/2(1663)	65 1/2(1663)	20 1/2(520)	2(50)	32 3/4(831)	10 1/2(266)	3 3/4(95)	19(482)	10	9.0 A
6060R	59 1/2(1511)	59 1/2(1511)	19 1/2(495)	2(50)	29 3/4(755)	9(228)	3 1/2(88)	18(457)	10	9.0 A



MODEL : 5555R

Drain Location : Right-hand drain

Pump Location : A



SPECIFICATION

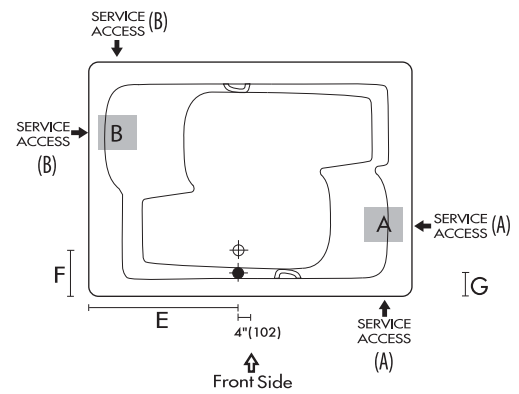
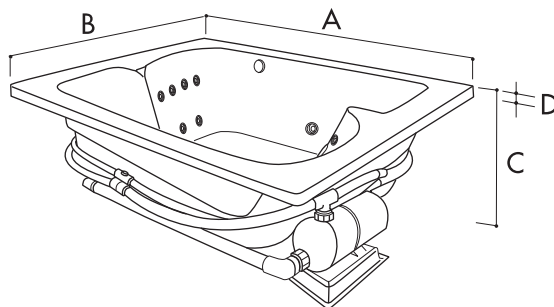
Model	Length(A)	Width(B)	Normal dimintions(mm)				(F)	(G)	Bathing well depth	Whirlpool jets	Pump(A)
			Height(C)	(D)	(E)	(G)					
5555R	54 1/2(1384)	54 1/2(1384)	22(558)	2(50)	27 1/4(692)	10(254)	3 3/4(95)	19(482)	9	9.0A	



MODEL : 7260D

Drain Location : Center drain

Pump Location : A/B



SPECIFICATION

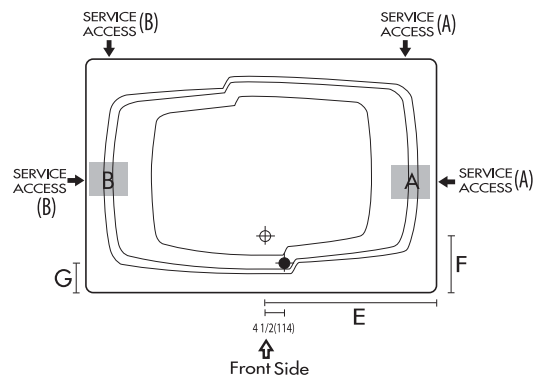
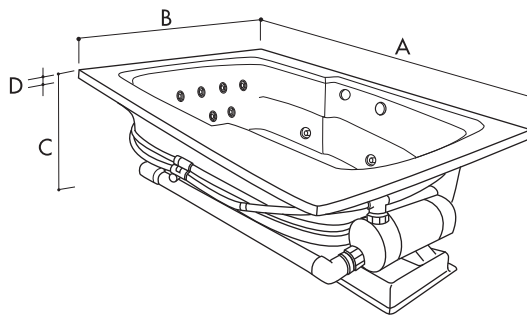
Model	Length(A)	Width(B)	Normal dimentions(mm)					Bathing well depth	Whirlpool jets	Pump(A)
			Height(C)	(D)	(E)	(F)	(G)			
7260D	71 1/2(1816)	59 3/4(1517)	21 1/2(546)	2(50)	32(812)	14(355)	5 1/2(139)	20(508)	16	9.0A



MODEL : 7248D, 7242D

Drain Location : Center drain

Pump Location : A/B



SPECIFICATION

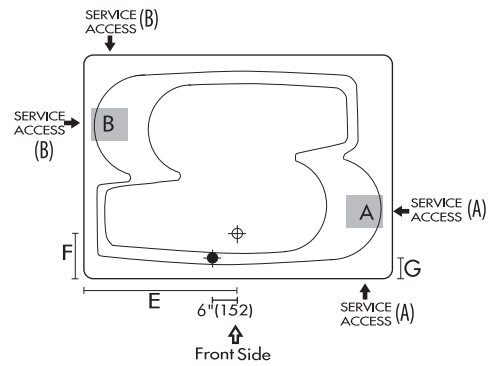
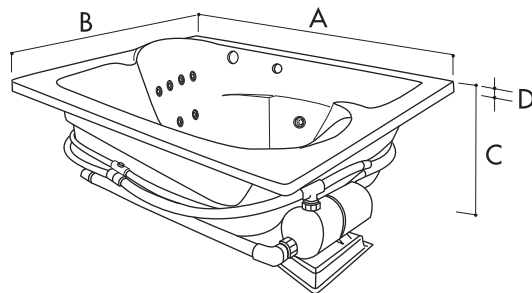
Model	Length(A)	Width(B)	Normal dimintions(mm)				Bathing well depth	Whirlpool jets	Pump(A)	
			Height(C)	(D)	(E)	(F)				
7248D	72(1828)	48(1219)	21 1/2(546)	2(50)	36(914)	12(304)	4 1/2(114)	20(508)	16	9.0A
7242D	72(1828)	42(1066)	21 1/2(546)	2(50)	36(914)	11(279)	3 1/2(88)	20(508)	16	9.0A



MODEL : 6648D

Drain Location : Center drain

Pump Location : A/B

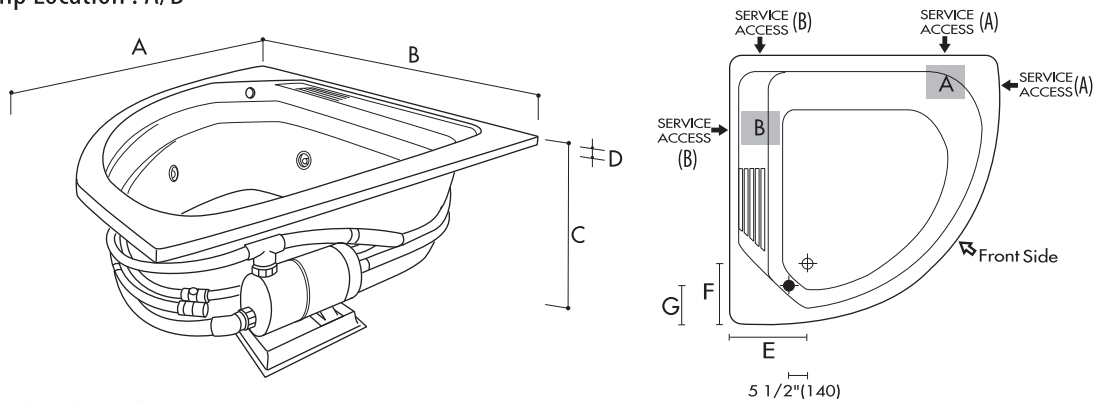


SPECIFICATION

Model	Length(A)	Width(B)	Normal dimintions(mm)					Bathing well depth	Whirlpool jets	Pump(A)
			Height(C)	(D)	(E)	(F)	(G)			
6648D	65 1/2(1663)	47 3/4(1212)	21 1/2(546)	2(50)	32 3/4(831)	8 1/2(215)	3 1/4(82)	20(508)	16	9.0A



MODEL : 6666C, 5555C
 Drain Location : Left-hand drain
 Pump Location : A/B



SPECIFICATION

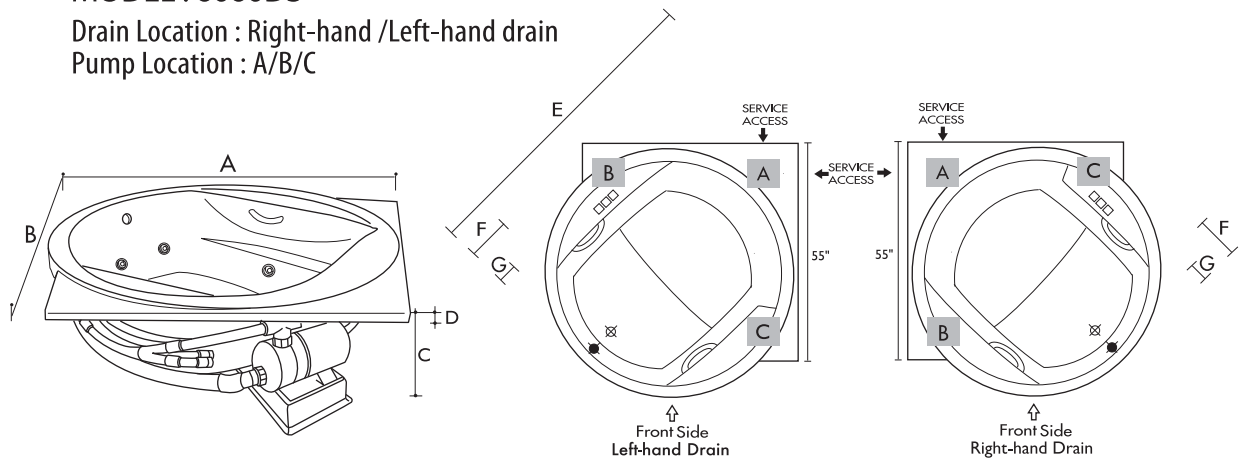
Model	Length(A)	Width(B)	Height(C)	Normal dimintions(mm)			Bathing well depth	Whirlpool jets	Pump(A)	
				(D)	(E)	(F)				
6666C	65 3/4(1670)	65 3/4(1670)	20 1/2(520)	2(50)	18 1/2(469)	14(355)	7 1/4(184)	19(482)	14	9.0A
5555C	54 3/4(1390)	54 3/4(1390)	19 1/2(495)	2(50)	16(406)	12 1/2(317)	7 1/4(184)	18(457)	10	9.0A



MODEL : 6060DS

Drain Location : Right-hand /Left-hand drain

Pump Location : A/B/C



SPECIFICATION

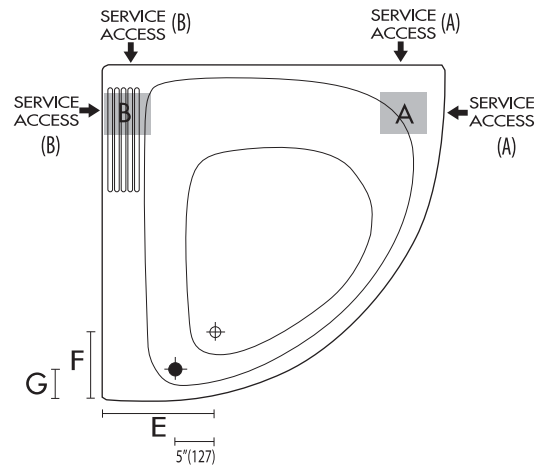
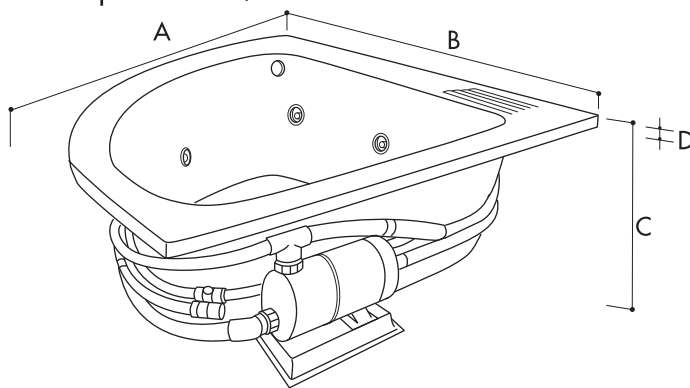
Model	Length(A)	Width(B)	Normal dimintions(mm)					Bathing well depth	Whirlpool jets	Pump(A)
			Height(C)	(D)	(E)	(F)	(G)			
6060DS	60(1524)	60(1524)	24 1/2(622)	2(50)	72(1828)	10(254)	3 1/2(88)	23(584)	10	9.0A



MODEL : 6060C

Drain Location : Left-hand drain

Pump Location : A/B

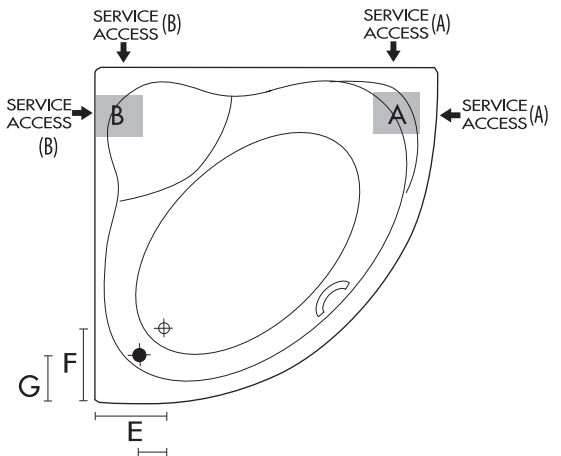
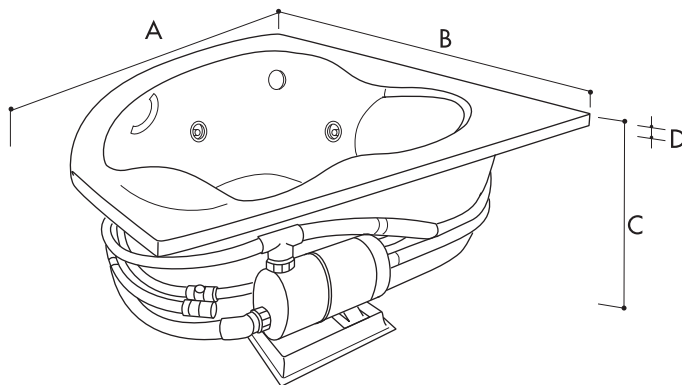


SPECIFICATION

Model	Length(A)	Width(B)	Normal dimintions(mm)				Bathing well depth (G)	Whirlpool jets	Pump(A)	
			Height(C)	(D)	(E)	(F)				
6060CA	59 3/4(1517)	59 3/4(1517)	22(558)	2(50)	16(406)	11(279)	4 1/2(114)	19(482)	10	9.0A



MODEL : 5151C
 Drain Location : Left-hand drain
 Air Blower Location : A/B



SPECIFICATION

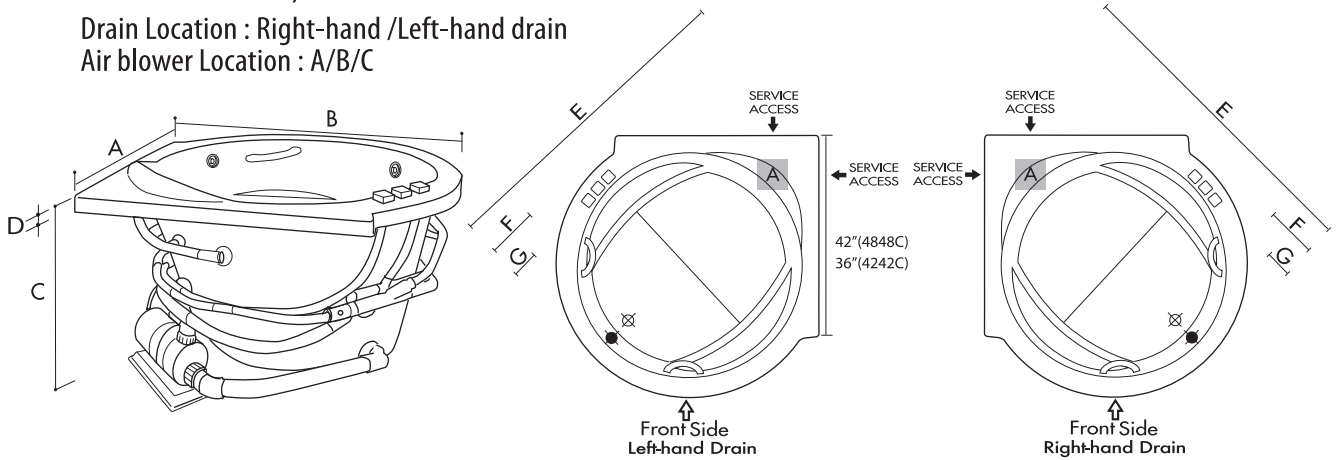
Model	Length(A)	Width(B)	Normal dimentions(mm)				Bathing well depth	Whirlpool jets	Pump(A)	
			Height(C)	(D)	(E)	(F)				(G)
5151C	51(1295)	51(1295)	19 1/2(495)	1 1/2(38)	10 1/4(260)	11(279)	6(152)	18(457)	5	9.0A



MODEL : 4848C, 4242C

Drain Location : Right-hand /Left-hand drain

Air blower Location : A/B/C



SPECIFICATION

Model	Length(A)	Width(B)	Normal dimention(mm)				Bathing well depth	Whirlpool jets	Pump(A)	
			Height(C)	(D)	(E)	(F)				
4848C	48(1219)	48(1219)	27 1/2(698)	2(50)	57 1/2(1460)	10 1/2(266)	3 1/2(89)	26(660)	11	9.0A
4242C	42(1067)	42(1067)	28(711)	2(50)	50 1/2(1282)	9 1/2(241)	3 1/2(89)	26 1/2(673)	11	9.0A

OVAL

7444O
7236O

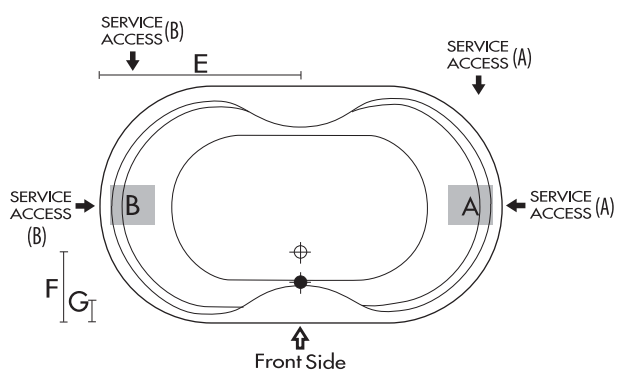
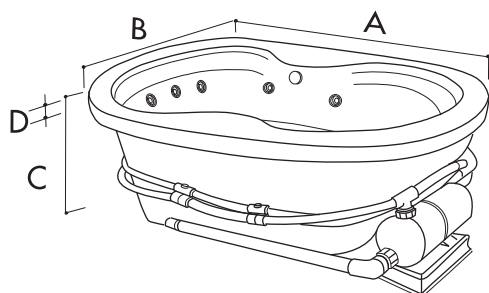
Econo



MODEL : 7444O, 7236O

Drain Location : Center drain

Pump Location : A/B



SPECIFICATION

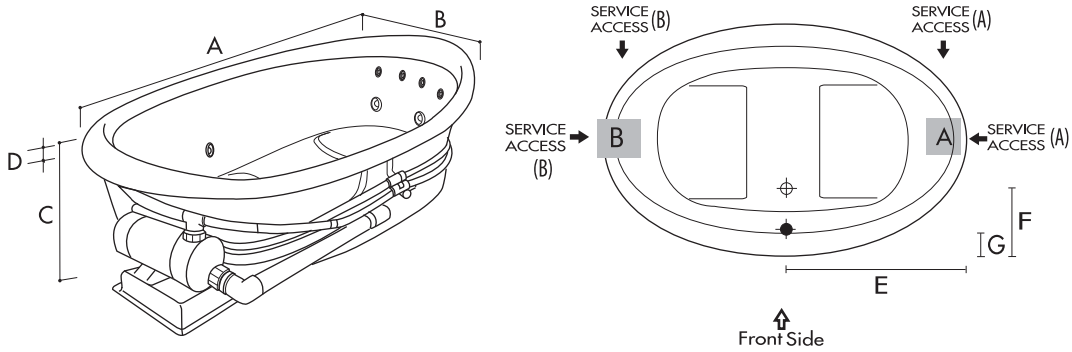
Model	Length(A)	Width(B)	Normal dimintions(mm)					Bathing well depth	Whirlpool jets	Pump(A)
			Height(C)	(D)	(E)	(F)	(G)			
7444O	74(1879)	44(1117)	22(558)	2(50)	37(939)	12(304)	6 1/2(165)	20(508)	10	9.0A
7236O	72(1828)	36(914)	21(533)	2(50)	36(914)	10 1/2(266)	5 1/4(133)	19(482)	10	9.0A



MODEL : 7242DS, 7236DS

Drain Location : Center drain

Pump Location : A/B



SPECIFICATION

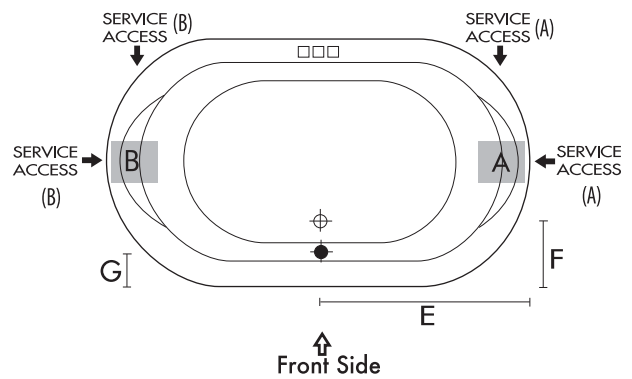
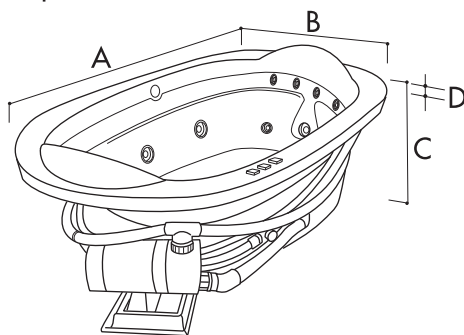
Model	Length(A)	Width(B)	Normal dimintions(mm)					Bathing well depth	Whirlpool jets	Pump(A)
			Height(C)	(D)	(E)	(F)	(G)			
7242 DS	71 1/2(1816)	41 1/2(1054)	21 1/2(546)	1 1/2(38)	35 3/4(908)	11(279)	3 3/4(95)	20(508)	10	9.0A
7236 DS	72(1828)	36(914)	21 1/2(546)	1 1/2(38)	36(914)	10(254)	3 3/4(95)	20(508)	10	9.0A



MODEL : 72420

Drain Location : Center drain

Pump Location : A/B



SPECIFICATION

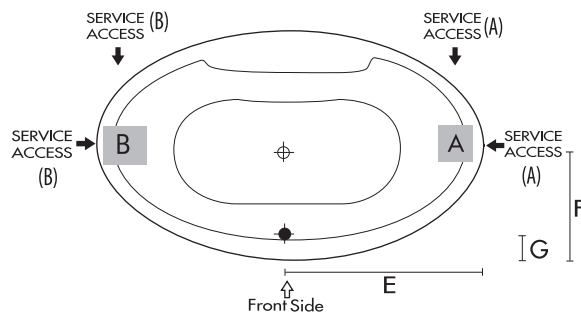
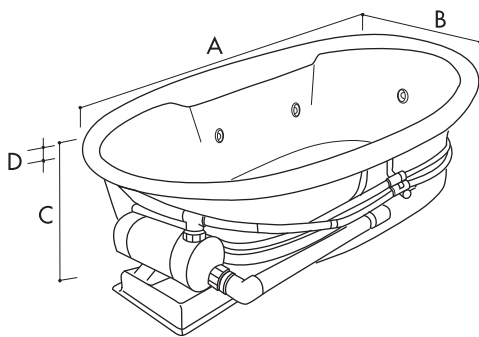
Model	Length(A)	Width(B)	Height(C)	Normal dimenitions(mm)			Bathing well depth	Whirlpool jets	Pump(A)	
				(D)	(E)	(F)				
72420	71 1/2(1816)	41(1041)	21 1/2(546)	2(50)	35 3/4(908)	10 3/4(273)	4(101)	20(508)	14	9.0A



MODEL : 72420F

Drain Location : Center drain

Pump Location : A/B



SPECIFICATION

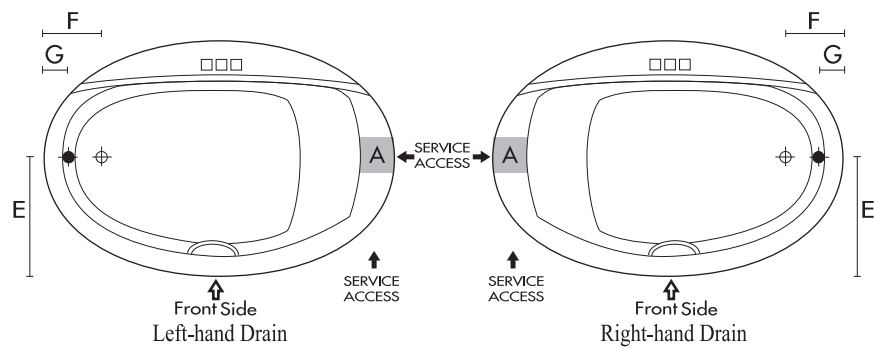
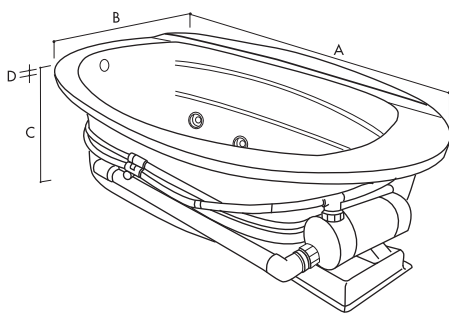
Model	Length(A)	Width(B)	Normal dimintions(mm)		(E)	(F)	(G)	Bathing well depth	Whirlpool jets	Pump(A)
			Height(C)	(D)						
72420F	71 3/4(1822)	41 3/4(1060)	19 1/2(495)	2(50)	35 7/8(911)	20 7/8(530)	3 1/2(88)	18(457)	6	9.0A



MODEL : 66420

Drain Location : Right-hand/ Left-hand drain

Pump Location : A



SPECIFICATION

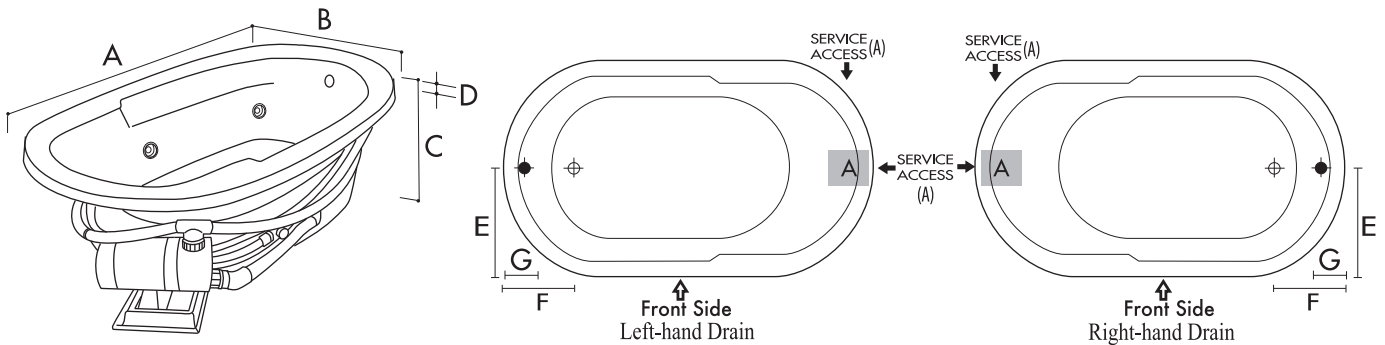
Model	Length(A)	Width(B)	Normal dimintions(mm)					Bathing well depth	Whirlpool jets	Pump(A)
			Height(C)	(D)	(E)	(F)	(G)			
66420	66(1676)	42(1066)	20 1/2(520)	1 1/2(38)	21(533)	10(254)	3 1/2(88)	19(482)	11	9.0 A



MODEL : 66360, 64330

Drain Location : Right-hand/Left-hand drain

Pump Location : A



SPECIFICATION

Model	Length(A)	Width(B)	Normal dimenions(mm)				Bathing well depth	Whirlpool jets	Pump(A)	
			Height(C)	(D)	(E)	(F)				
66360	66(1676)	36(914)	20 1/2(520)	2(50)	18(457)	10 (254)	4(101)	19(482)	11	9.0A
64330	63 3/4(1619)	32 3/4(831)	20 1/2(520)	2(50)	16 3/8(415)	9 1/2(241)	4(101)	19(482)	9	9.0A

OVAL

60400
60360

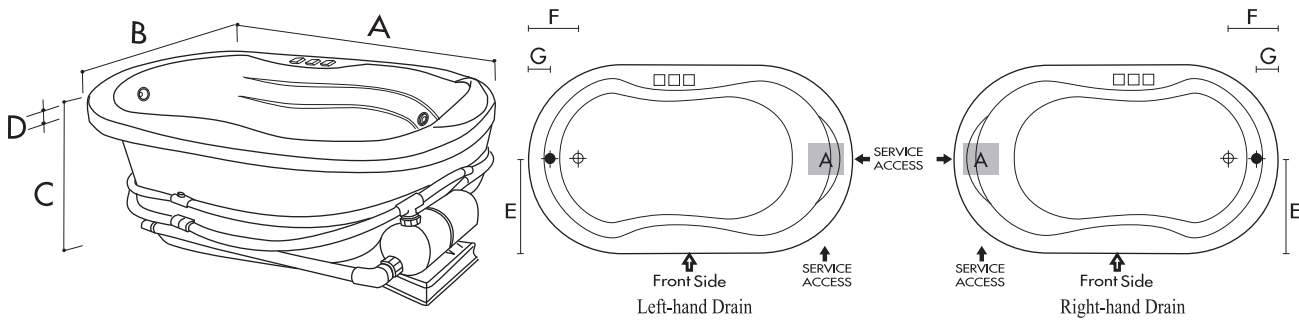
Econo



MODEL : 60400, 60360

Drain Location : Right-hand/ Left-hand

Pump Location : A



SPECIFICATION

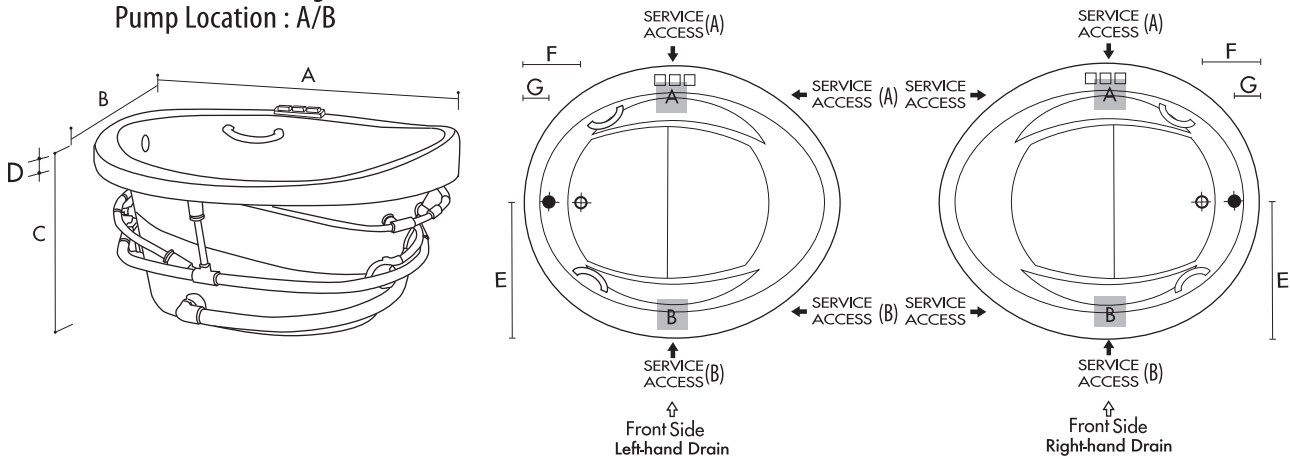
Model	Length(A)	Width(B)	Normal dimentions(mm)					Bathing well depth	Whirlpool jets	Pump(A)
			Height(C)	(D)	(E)	(F)	(G)			
60400	60(1524)	40(1016)	19 1/2(495)	2(50)	20(508)	9 1/2(241)	3 1/2(88)	18(457)	10	9.0A
60360	60(1524)	36(914)	19 1/2(495)	2(50))	18(457)	9(228)	3 1/2(88)	18(457)	10	9.0A



MODEL : 48420

Drain Location : Right-hand/ Left-hand drain

Pump Location : A/B



SPECIFICATION

Model	Length(A)	Width(B)	Normal dimentions(mm)				Bathing well depth	Whirlpool jets	Pump(A)	
			Height(C)	(D)	(E)	(F)				(G)
48420	48(1219)	42(1066)	24 1/2(622)	1 1/2(38)	21(533)	10 1/2(266)	3 1/2(88)	23(584)	8	9.0A

RECTANGULAR

6636RA
6034RA

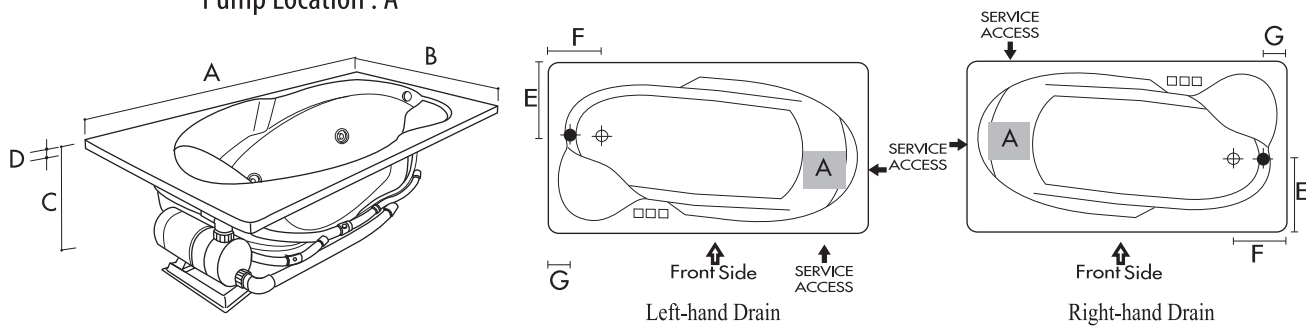
Econo



MODEL : 6636RA, 6034RA

Drain Location : Right-hand/ Left-hand drain

Pump Location : A



SPECIFICATION

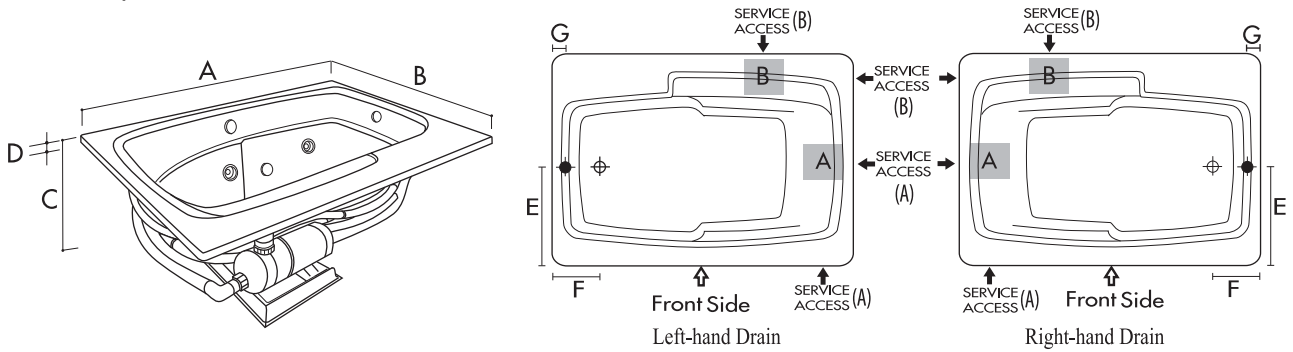
Model	Length(A)	Width(B)	Normal dimensions(mm)				Bathing well depth	Whirlpool jets	Pump(A)	
			Height(C)	(D)	(E)	(F)				
6636RA	65 1/2(1663)	35 1/2(902)	21(533)	2(50)	15(381)	9 1/2(241)	3 1/2(88)	19(482)	10	9.0A
6034RA	59 1/2(1511)	33 1/2(851)	20(508)	2(50)	15(381)	10(254)	3 1/2(88)	18(457)	10	9.0A

7242RB
6642RB
6042RB

RECTANGULAR



MODEL : 7242RB, 6642RB, 6042RB
Drain Location : Right-hand/ Left-hand Drain
Pump Location : A/B



SPECIFICATION

Model	Length(A)	Width(B)	Normal dimentions(mm)					Bathing well depth	Whirlpool jets	Pump(A)
			Height(C)	(D)	(E)	(F)	(G)			
7242RB	71 1/2(1816)	41 3/4(1060)	20 1/2(520)	2(50)	19(482)	10 1/2(266)	3 3/4(95)	19(482)	10	9.0A
6642RB	65 3/4(1670)	41 3/4(1060)	19 1/2(495)	2(50)	19(482)	8 1/2(215)	3 3/4(95)	18(457)	10	9.0A
6042RB	60(1524)	41 3/4(1060)	19 1/2(495)	2(50)	19(482)	8 1/2(215)	3(75)	18(457)	10	9.0A

7238RC
6638RC
6636RC
6332RC

Econo

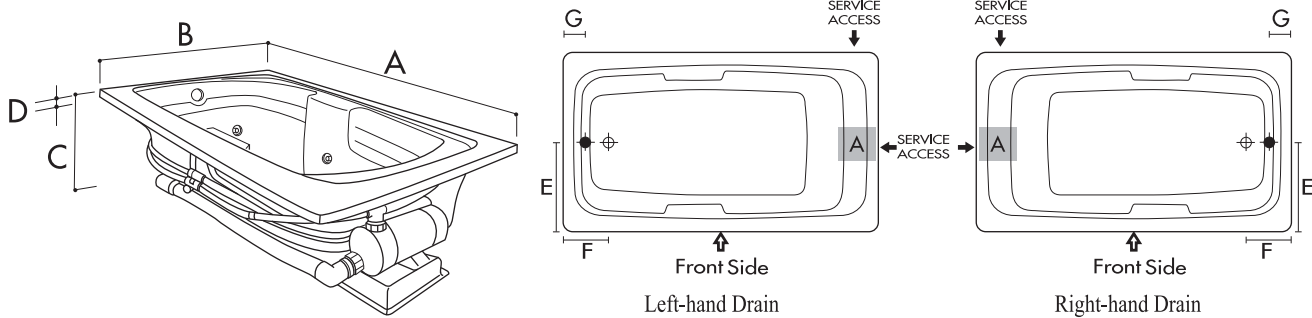
RECTANGULAR



MODEL : 7238RC, 6638RC, 6636RC, 6332RC

Drain Location : Right-hand/ Left-hand drain

Pump Location : A



SPECIFICATION

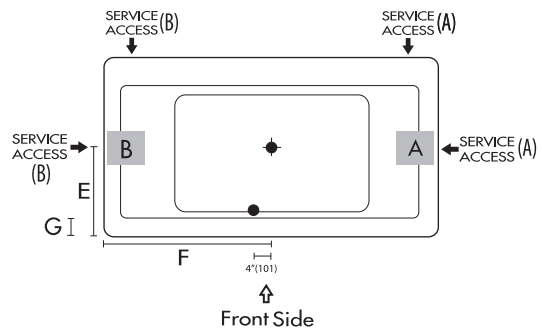
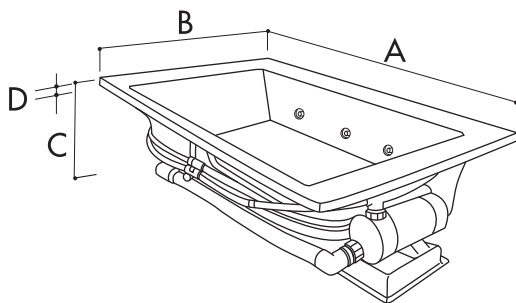
Model	Length(A)	Width(B)	Normal dimentions(mm)					Bathing well depth	Whirlpool jets	Pump(A)
			Height(C)	(D)	(E)	(F)	(G)			
7238RC	72(1828)	38(965)	20 1/2(520)	2(50)	19(482)	11(279)	3 3/4(95)	19(482)	10	9.0A
6638RC	66(1676)	38(965)	20 1/2(520)	2(50)	19(482))	10(254)	3 3/4(95)	19(482)	10	9.0A
6636RC	65 3/4(1670)	36(914)	20 1/2(520)	1 1/2(38)	18(457)	10(254)	3 1/2(88)	19(482)	10	9.0A
6332RC	63(1600)	31 1/2(800)	19 1/2(495)	2(50)	15 3/4(400)	11(279)	3 1/2(88)	18(457)	9	9.0A



MODEL : 7236RD, 6634RD

Drain Location : Center drain

Pump Location : A/B



SPECIFICATION

Model	Length(A)	Width(B)	Normal dimentions(mm)					Bathing well depth	Whirlpool jets	Pump(A)
			Height(C)	(D)	(E)	(F)	(G)			
7236RD	72(1828)	36(914)	20 1/2(520)	1 1/2(38)	17(431)	36(914)	3(76)	19(482)	6	9.0A
6634RD	66(1676)	34(863)	20(508)	1 1/2(38)	16(406)	33(838)	3(76)	18 1/2(469)	6	9.0A

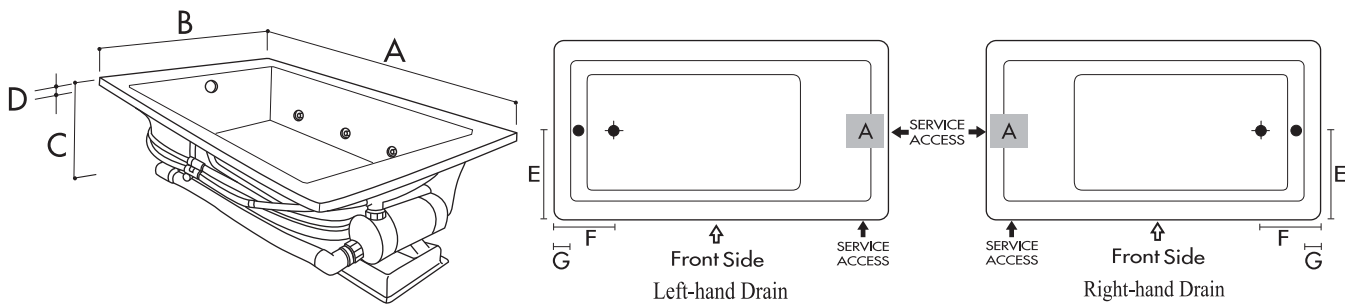
6036RE
6032RE
6030RE

Econo

RECTANGULAR



MODEL : 6036RE, 6032RE, 6030RE
Drain Location : Right-hand/ Left-hand drain
Pump Location : A



SPECIFICATION

Model	Length(A)	Width(B)	Normal dimention(mm)					Bathing well depth	Whirlpool jets	Pump(A)
			Height(C)	(D)	(E)	(F)	(G)			
6036RE	60(1524)	36(914)	19 1/2(495)	1 1/2(38)	18(457)	9(228)	3 1/2(88)	18(457)	6	9.0A
6032RE	60(1524)	32(812)	19 1/2(495)	1 1/2(38)	16(406)	9(228)	3 1/2(88)	18(457)	6	9.0A
6030RE	60(1524)	30(762)	19 1/2(495)	1 1/2(38)	15(381)	9(228)	3 1/2(88)	18(457)	6	9.0A

6634RF
6032RF

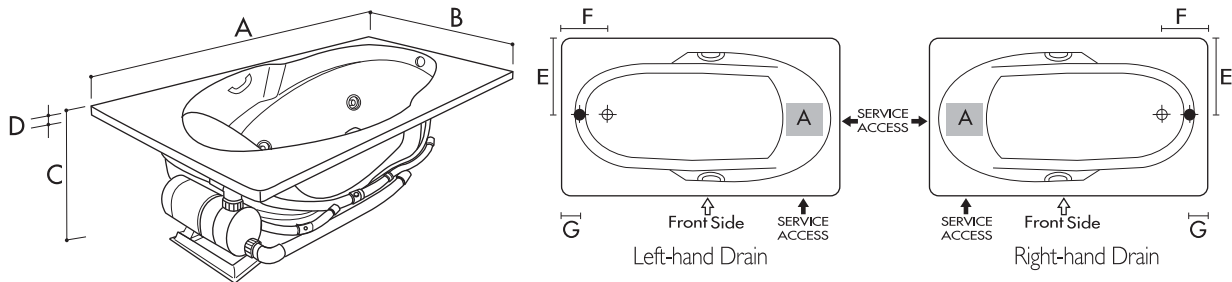
RECTANGULAR



MODEL : 6634RF, 6032RF

Drain Location : Right-hand/ Left-hand drain

Pump Location : A



SPECIFICATION

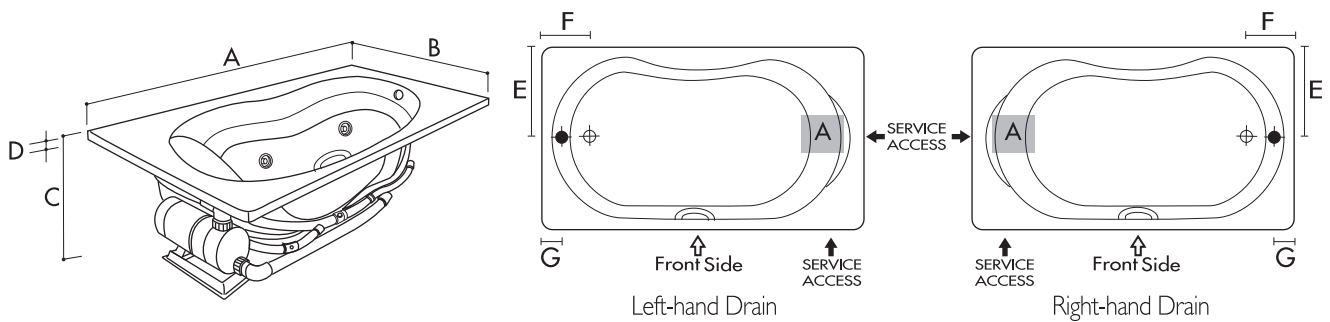
Model	Length(A)	Width(B)	Normal dimintions(mm)				Bathing well depth	Whirlpool jets	Pump(A)	
			Height(C)	(D)	(E)	(F)				(G)
6634RF	65 1/2(1663)	33 1/2(850)	20 1/2(520)	2(50)	16 3/4(425)	10 1/2(266)	3(76)	19(482)	9	9.0A
6032RF	59 1/2(1511)	31 1/2(800)	18 1/2(469)	2(50)	15 3/4(400)	10(254)	3(76)	17(431)	9	9.0A



MODEL : 6030RG

Drain Location : Right-hand/ Left-hand drain

Pump Location : A



SPECIFICATION

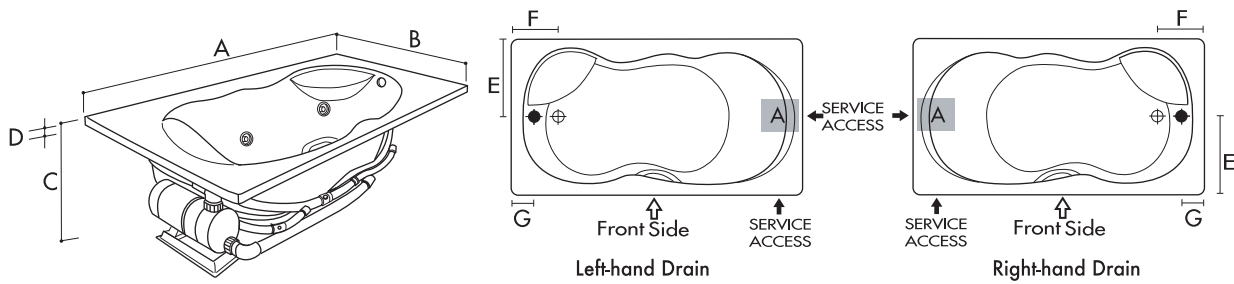
Model	Length(A)	Width(B)	Normal dimintions(mm)				Bathing well depth	Whirlpool jets	Pump(A)	
			Height(C)	(D)	(E)	(F)				
6030RG	59 3/4(1517)	29 3/4(755)	20 1/2(520)	2(50)	14 3/4(374)	9 1/2(241)	3(76)	19(482)	10	9.0A



MODEL : 6032RH

Drain Location : Right-hand/ Left-hand drain

Pump Location : A



SPECIFICATION

Model	Length(A)	Width(B)	Normal dimintions(mm)					Bathing well depth	Whirlpool jets	Pump(A)
			Height(C)	(D)	(E)	(F)	(G)			
6032RH	60(1524)	32(812)	19 1/2(495)	2(50)	16(406)	9(228)	3(76)	18(457)	11	9.0A

AirBaths Standard Features



Chrome electric switch
Air & light-on/off



Hot air blower
Motor 1030w w/200watt Air Heating System
w/anti-vibration rubber mount legs



Air manifold
w/Anti-Backwash check valve &
Water Relief Valve



Water level sensor(dry-run protection)
20 minutes off-timer
Auto purge/ dry cycle



Chrome air jets
w/ anti-backwash check valve



Underwater mood light
w/Multi-color LED light



Headrest II w/chrome support
(available models)



Chrome grab rail (available models)

AirBaths

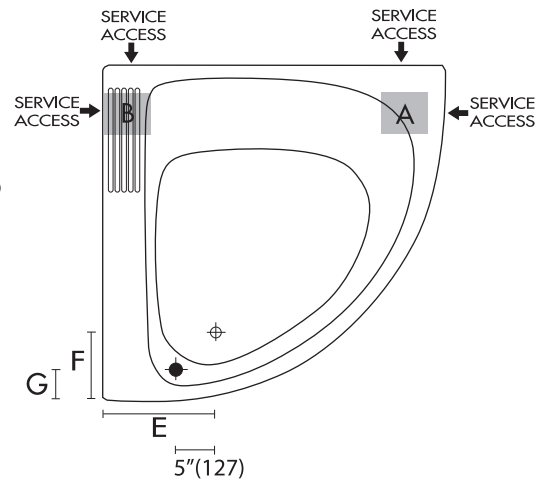
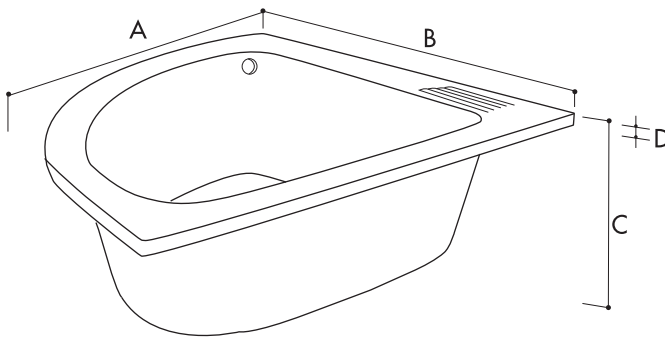
AIR MASSAGE SYSTEM



MODEL : 6060C

Drain Location : Left-hand drain

Air Blower Location : A/B

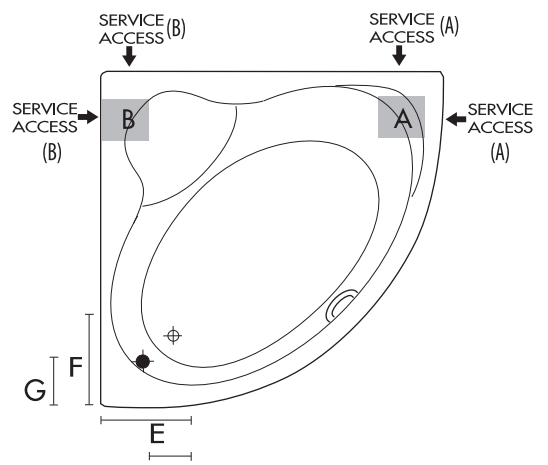
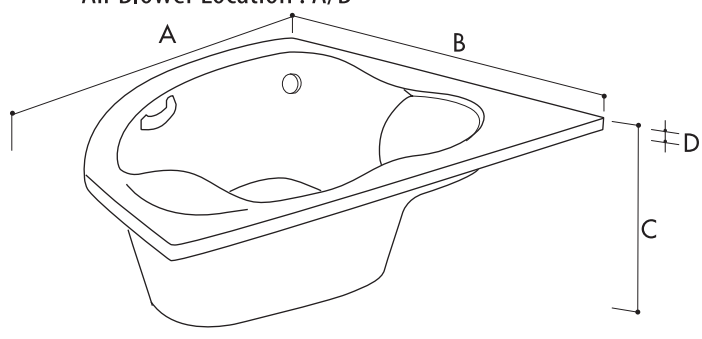


SPECIFICATION

Model	Length(A)	Width(B)	Normal dimintions(mm)				Bathing well depth	Air jets	Air Blower	
			Height(C)	(D)	(E)	(F)				
6060C	59 3/4(1517)	59 3/4(1517)	22(558)	2(50)	16(406)	11(279)	4 1/2(114)	19(482)	16	1030w



MODEL : 5151C
 Drain Location : Left-hand drain
 Air Blower Location : A/B



SPECIFICATION

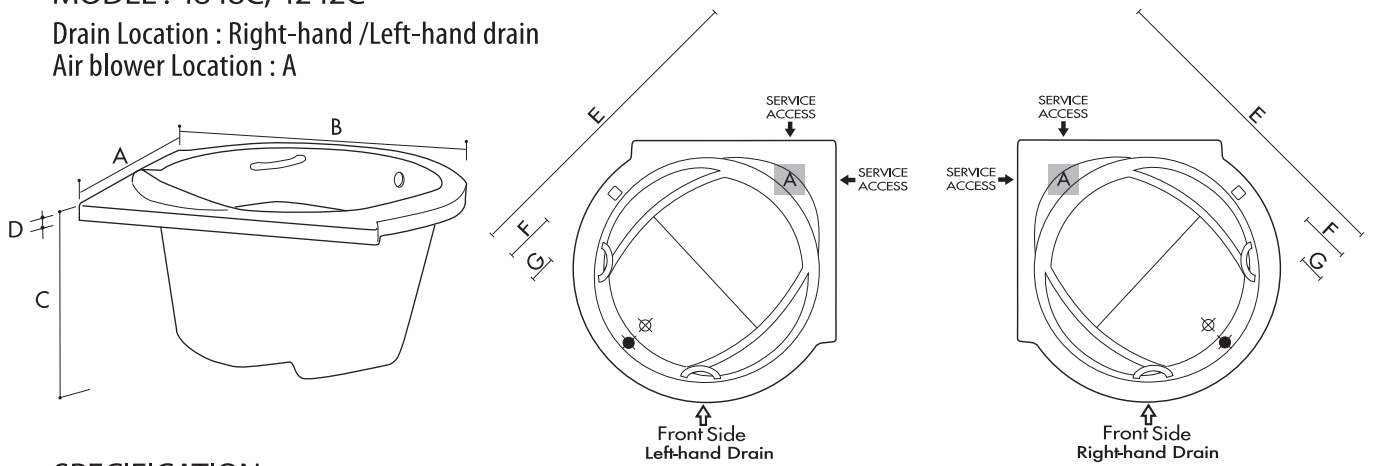
Model	Length(A)	Width(B)	Normal dimintions(mm)					Bathing well depth	Air jets	Air Blower
			Height(C)	(D)	(E)	(F)	(G)			
5151C	51(1295)	51(1295)	21(533)	1 1/2(38)	10 1/4(260)	11(279)	6(152)	18(457)	10	1030w



MODEL : 4848C, 4242C

Drain Location : Right-hand /Left-hand drain

Air blower Location : A



SPECIFICATION

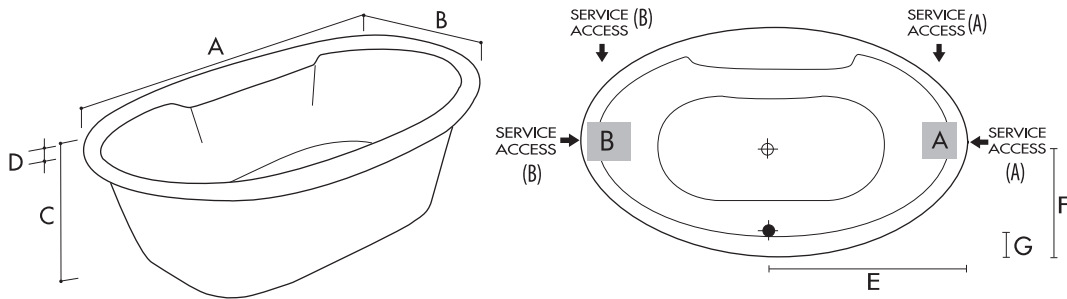
Model	Length(A)	Width(B)	Normal dimentions(mm)				Bathing well depth	Air jets	Air Blower	
			Height(C)	(D)	(E)	(F)				(G)
4848C	48(1219)	48(1219)	29(736)	2(50)	57 1/2(1460)	10 1/2(266)	3 1/2(89)	26(660)	14	1030w
4242C	42(1067)	42(1067)	29 1/2(749)	2(50)	50 1/2(1282)	9 1/2(241)	3 1/2(89)	26 1/2(673)	14	1030w

OVAL

72420F



MODEL : 72420F
 Drain Location : Center drain
 Air blower Location : A/B



SPECIFICATION

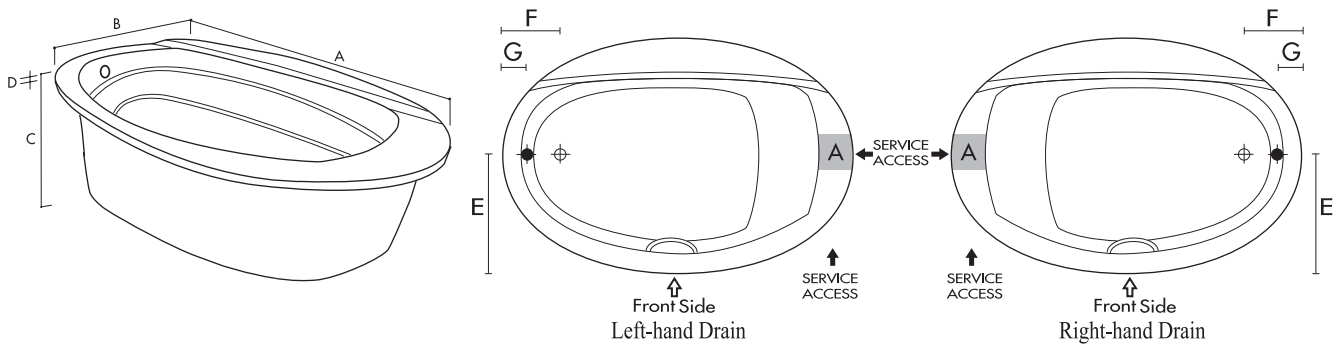
Model	Length(A)	Width(B)	Normal dimentions(mm)				Bathing well depth	Air jets	Air Blower	
			Height(C)	(D)	(E)	(F)				
72420F	71 3/4(1822)	41 3/4(1060)	21(533)	2(50)	35 7/8(911)	20 7/8(530)	3 1/2(88)	18(457)	12	1030w



MODEL : 66420

Drain Location : Right-hand/ Left-hand drain

Air blower Location : A



SPECIFICATION

Model	Length(A)	Width(B)	Normal dimintions(mm)				Bathing well depth	Air jets	Air blower	
			Height(C)	(D)	(E)	(F)				(G)
66420	66(1676)	42(1066)	22(558)	11/2(38)	21(533)	10(254)	3 1/2(82)	19(482)	16	1030w

OVAL

66360
64330

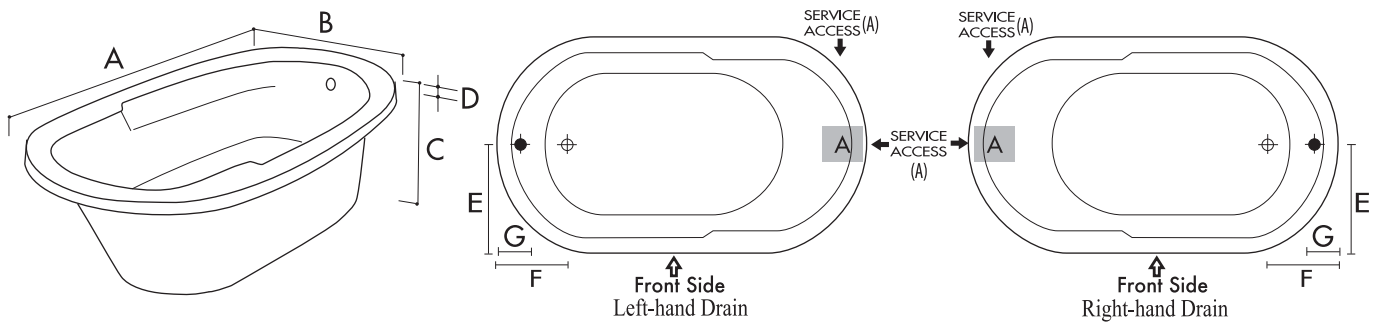
Air
Bath



MODEL : 66360, 64330

Drain Location : Right-hand/Left-hand drain

Air Blower Location : A

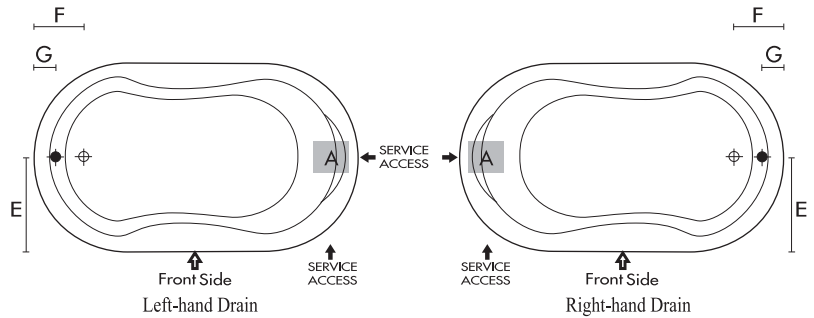
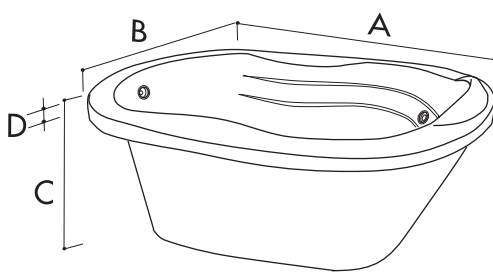


SPECIFICATION

Model	Length(A)	Width(B)	Normal dimentions(mm)				Bathing well depth	Air jets	Air blower	
			Height(C)	(D)	(E)	(F)				
66360	66(1676)	36(914)	22(558)	2(50)	18(457)	10(254)	4(101)	19(482)	17	1030w
64330	63 3/4(1619)	32 3/4(831)	22(558)	2(50)	16 3/8(415)	9 1/2(241)	4(101)	19(482)	15	1030w



MODEL : 60400, 60360
 Drain Location : Right-hand/ Left-hand
 Pump Location : A



SPECIFICATION

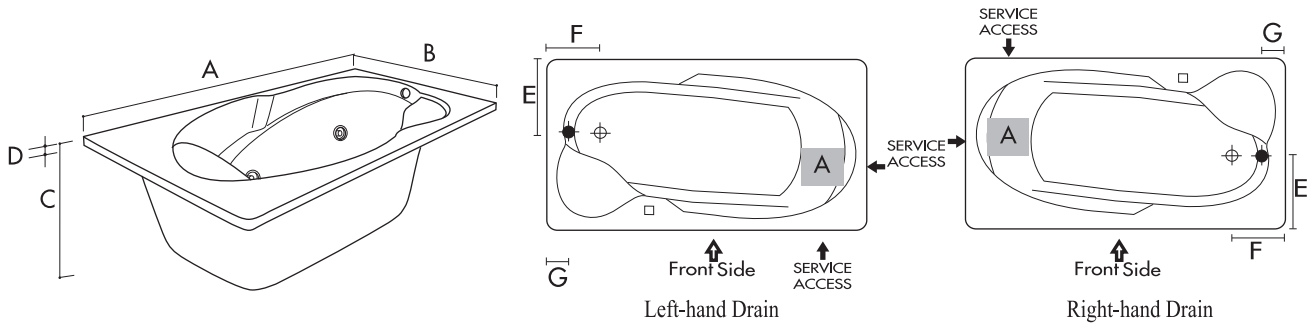
Model	Length(A)	Width(B)	Normal dimentions(mm)				Bathing well depth	Air jets	Air Blower	
			Height(C)	(D)	(E)	(F)				
60400	60(1524)	40(1016)	21(533)	2(50)	20(508)	9(228)	3 1/2(88)	18(457)	16	1030w
60360	60(1524)	36(914)	21(533)	2(50)	18(457)	9(228)	3 1/2(88)	18(457)	16	1030w

6636RA
6034RA

RECTANGULAR



MODEL : 6636RA, 6034 RA
Drain Location : Right-hand/ Left-hand drain
Air blower Location : A



SPECIFICATION

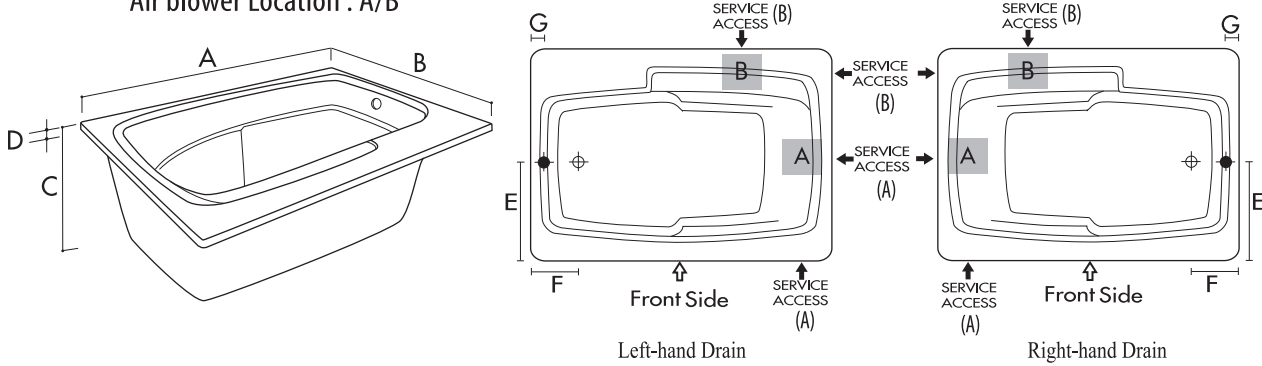
Model	Length(A)	Width(B)	Normal dimentions(mm)				Bathing well depth	Air jets	Air blower
			Height(C)	(D)	(E)	(F)			
6636RA	65 1/2(1663)	35 1/2(902)	22(558)	2(50)	15(381)	9 1/2(241)	3 1/2(88)	19(482)	16 1030w
6034RA	59 1/2(1511)	33 1/2(851)	21(533)	2(50)	15(381)	10 (254)	3 1/2(88)	18(457)	16 1030w

7242RB
6642RB
6042RB

RECTANGULAR



MODEL : 7242RB, 6642RB, 6042RB
Drain Location : Right-hand/ Left-hand drain
Air blower Location : A/B



SPECIFICATION

Model	Length(A)	Width(B)	Normal dimenitions(mm)				Bathing well depth	Air jets	Air Blower	
			Height(C)	(D)	(E)	(F)				
7242RB	71 1/2(1816)	41 3/4(1060)	22(558)	2(50)	19(482)	10 1/2(266)	3 3/4(95)	19(482)	16	1030w
6642RB	65 3/4(1670)	41 3/4(1060)	21(533)	2(50)	19(482)	8 1/2(215)	3 3/4(95)	18(457)	16	1030w
6042RB	60(1524)	41 3/4(1060)	21(533)	2(50)	19(482)	8 1/2(215)	3(76)	18(457)	16	1030w

7238RC
6638RC
6636RC
6332RC

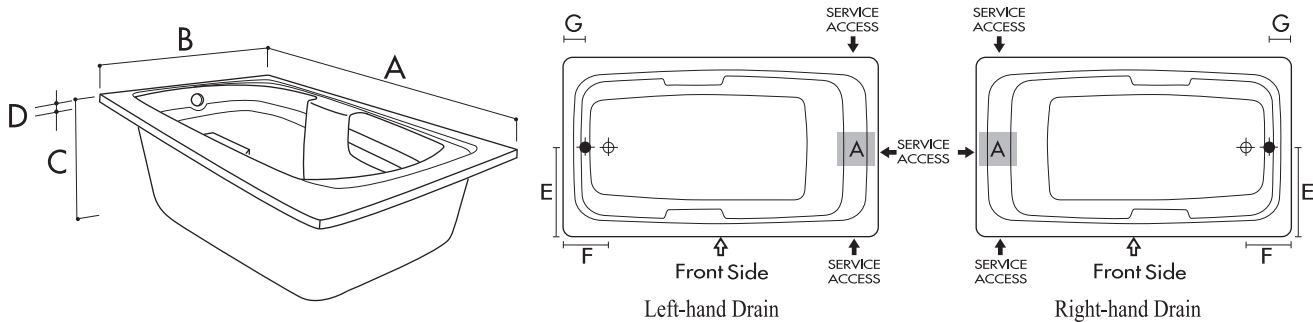
RECTANGULAR



MODEL : 7238RC, 6638RC, 6636RC, 6332RC

Drain Location : Right-hand/ Left-hand drain

Air blower Location : A



SPECIFICATION

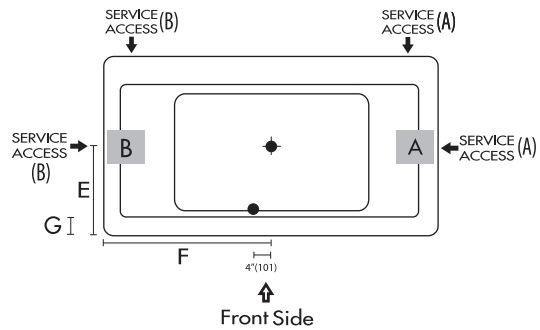
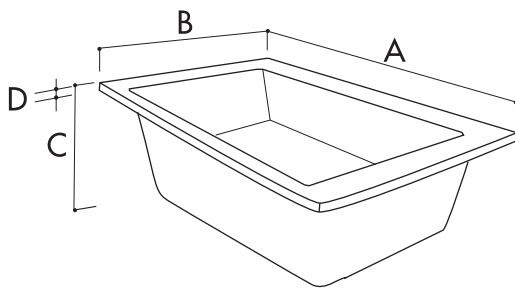
Model	Length(A)	Width(B)	Normal dimintions(mm)				Bathing well depth	Air jets	Air blower	
			Height(C)	(D)	(E)	(F)				
7238RC	72(1828)	38(965)	22(558)	2(50)	19(482)	11(279)	3 3/4(95)	19(482)	16	1030w
6638RC	66(1676)	38(965)	22(558)	2(50)	19(482))	10(254)	3 3/4(95)	19(482)	16	1030w
6636RC	65 3/4(1670)	36(914)	22(558)	1 1/2(38)	18(457)	10(254)	3 1/2(88)	19(482)	16	1030w
6332RC	63(1600)	31 1/2(800)	21(533)	2(50)	15 3/4(400)	11(279)	3 1/2(88)	18(457)	15	1030w



MODEL : 7236RD, 6634RD

Drain Location : Center drain

Air blower location : A/B



SPECIFICATION

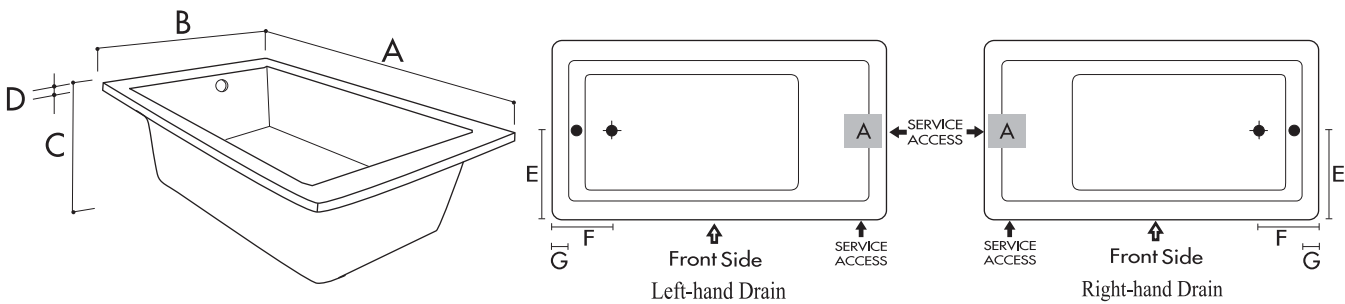
Model	Length(A)	Width(B)	Normal dimentions(mm)				Bathing well depth	Air jets	Air blower	
			Height(C)	(D)	(E)	(F)				
7236RD	72(1828)	36(914)	21 1/2(546)	1 1/2(38)	17(431)	36(914)	3(76)	19(482)	12	1030w
6634RD	66(1676)	34(863)	20(508)	1 1/2(38)	16(406)	33(838)	3(76)	18 1/2(469)	12	1030w

6036RE
6032RE
6030RE

RECTANGULAR



MODEL : 6036RE, 6032RE, 6030RE
Drain Location : Right-hand/ Left-hand drain
Air blower Location : A



SPECIFICATION

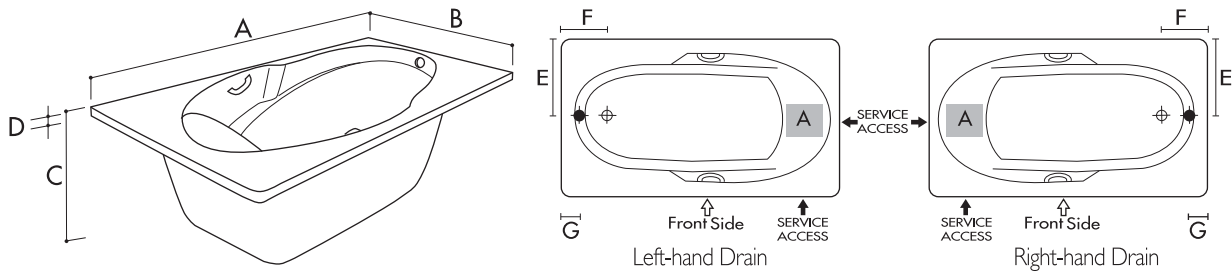
Model	Length(A)	Width(B)	Normal dimintions(mm)				Bathing well depth	Air jets	Air blower	
			Height(C)	(D)	(E)	(F)				
6036RE	60(1524)	36(914)	21(533)	1 1/2(38)	18(457)	9(228)	3 1/2(88)	18(457)	10	1030w
6032RE	60(1524)	32(812)	21(533)	1 1/2(38)	16(406)	9(228)	3 1/2(88)	18(457)	10	1030w
6030RE	60(1524)	30(762)	21(533)	1 1/2(38)	15(381)	9(228)	3 1/2(88)	18(457)	10	1030w



MODEL : 6634RF, 6032RF

Drain Location : Right-hand/ Left-hand drain

Air blower Location : A



SPECIFICATION

Model	Length(A)	Width(B)	Normal dimitions(mm)			Bathing well depth	Air jets	Air blower		
			Height(C)	(D)	(E)					
6634RF	65 1/2(1663)	33 1/2(850)	22(558)	2(50)	16 3/4(425)	10 1/2(266)	3(76)	19(482)	15	1030w
6032RF	59 1/2(1511)	31 1/2(800)	20(508)	2(50)	15 3/4(400)	10(254)	3(76)	17(431)	15	1030w

RECTANGULAR

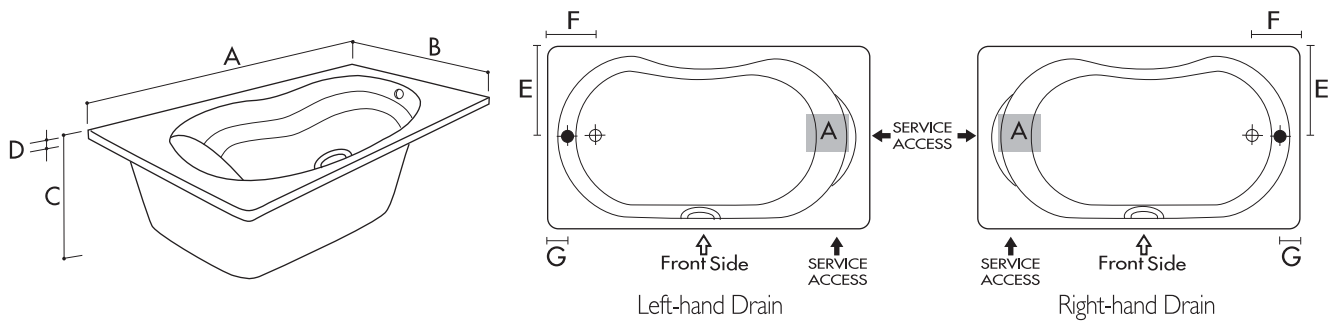
6030RG



MODEL : 6030RG

Drain Location : Right-hand/ Left-hand drain

Air blower Location : A



SPECIFICATION

Model	Length(A)	Width(B)	Normal dimintions(mm)					Bathing well depth	Air jets	Air blower
			Height(C)	(D)	(E)	(F)	(G)			
6030RG	59 1/2(1511)	29 1/2(749)	22(558)	2(50)	14 3/4(374)	9 1/2(241)	3(76)	19(482)	16	1030w

6032RH

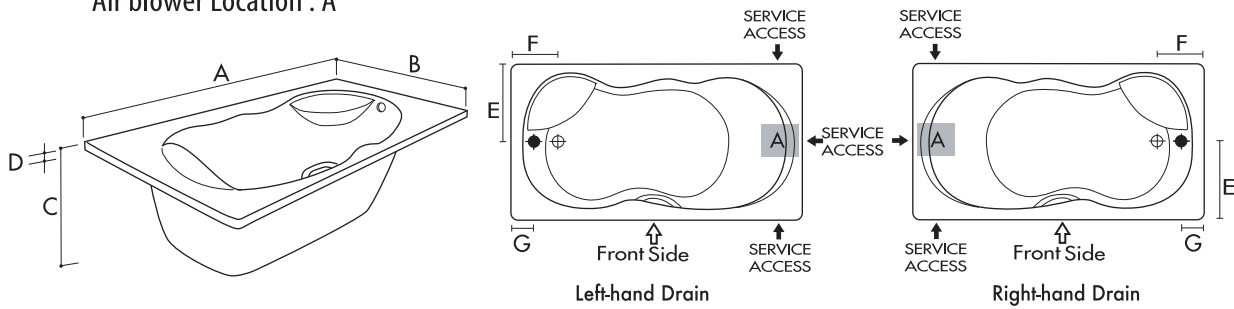
RECTANGULAR



MODEL : 6032RH

Drain Location : Right-hand/ Left-hand drain

Air blower Location : A



SPECIFICATION

Model	Length(A)	Width(B)	Normal dimintions(mm)					Bathing well depth	Air jets	Air blower
			Height(C)	(D)	(E)	(F)	(G)			
6032RH	60(1524)	32(812)	21(533)	2(50)	16(406)	9(228)	3(76)	18(457)	11	1030w

Option & Accessories

XO STANDARD & OPTIONAL FEATURES














FEATURES	SQUARE	ROUND	DOUBLE			CORNER		
	7272S 6666S 6060S	7272R 6666R 6060R 5555R	7260D	7248D 7242D	6648D	6666C	6060DS	6060C
 Chrome Electric Switch	S	S	S	S	S	S	S	S
 Syllent® Pump (No Heater Needed)	S	S	S	S	S	S	S	S
 Hot Air Blower	S	S	S	S	S	S	S	S
 Water Level Sensor(Dry-run Protection)	S	S	S	S	S	S	S	S
 20 minutes Off-timer	S	S	S	S	S	S	S	S
 Auto purge/Dry Cycle(Air Bath)	S	S	S	S	S	S	S	S
 Chrome Micro Whirlpool Jets w/ Adjustable Diverter Valve	S	S	S	S	S	S	S	S
 Chrome Standard Whirlpool Jets	S	S	S	S	S	S	S	S
 Chrome Air Jets w/ Anti-backwash Check Valve	S	S	S	S	S	S	S	S
 Chrome Hi-volume Suction	S	S	S	S	S	S	S	S
 Underwater Mood Light w/Multi color LED Light	S	S	S	S	S	S	S	S
 Chrome Grab Rail	S	S	S	S	-	S	-	S
 Grab Bar	-	-	-	-	S	-	S	-
 Headrest II w/Chrome Support	S	S	S	S	-	S	-	S
 Brass/ Nickel Trim Kit (Full Trim)	0	0	0	0	0	0	0	0
 Lateral Skirt	0	-	-	-	0	-	0	0
 Waste & Overflow Drain	0	0	0	0	0	0	0	0

S : Standard equipment

O : Optional equipment

- : Not available

Deluxe STANDARD & OPTIONAL FEATURES
















FEATURES	SQUARE	ROUND	DOUBLE	6648D	CORNER	6060DS 4848C 4242C	6060C	5151C
	7272S 6666S 6060S	7272R 6666R 6060R 5555R	7260D 7248D 7242D		6666C 5555C			
 Chrome Electronic Switch	S	S	S	S	S	S	S	S
 Syllent® Pump (No Heater Needed)	S	S	S	S	S	S	S	S
Water Level Sensor (Dry-run Protection)	S	S	S	S	S	S	S	S
 20 minutes Off-timer	S	S	S	S	S	S	S	S
 Chrome Micro Whirlpool Jets w/ Adjustable Diverter Valve	S	S	S	S	S	S	S	-
 Chrome Standard Whirlpool Jets	S	S	S	S	S	S	S	S
 Chrome Hi-volume Suction	S	S	S	S	S	S	S	S
 Underwater Mood Light w/ Multi Color LED Light	S	S	S	S	S	S	S	S
 Chrome Grab Rail	S	S	S	-	S	-	S	-
 Grab Bar	-	-	-	S	-	S	-	S
 Headrest II w/Chrome Support	S	S	S	-	S	-	S	-
 Brass/ Nickel Trim Kits (Full Trim)	0	0	0	0	0	0	0	0
 Lateral Skirt	0	-	-	0	-	0	0	0
 Waste & Overflow Drain	0	0	0	0	0	0	0	0

S : Standard equipment

O : Optional equipment

- : Not available

Econo STANDARD & OPTIONAL FEATURES

FEATURES	SQUARE	ROUND	DOUBLE	6648D	CORNER	6060DS 4848C 4242C	6060C	5151C
	7272S 6666S 6060S	7272R 6666R 6060R 5555R	7260D 7248D 7242D		6666C 5555C			
 Chrome Pneumatic Switch	S	S	S	S	S	S	S	S
 Chrome Air Controls	S	S	S	S	S	S	S	S
 Pump/Motor	S	S	S	S	S	S	S	S
 Plastic Micro Whirlpool Jets	S	S	S	S	S	S	S	-
 Plastic Diverter Valve	S	S	S	S	S	S	S	-
 Plastic Standard Whirlpool Jets	S	S	S	S	S	S	S	S
 Plastic Hi-volume Suction	S	S	S	S	S	S	S	S
 Grab Bar	-	-	S	S	-	S	-	S
 Chrome Grab Rail	0	0	0	-	0	-	0	-
 Headrest II w/Chrome Support	0	0	0	0	0	-	0	-
 Syllent Pump (No Heater Needed)	0	0	0	0	0	0	0	0
 Brass/ Nickel/ Chrome Trim Kit (Full Trim)	0	0	0	0	0	0	0	0
 Underwater Mood Light w/ Multi Color LED Light	0	0	0	0	0	0	0	0
 Lateral Skirt	0	-	-	0	-	0	0	0
 Waste & Overflow Drain	0	0	0	0	0	0	0	0

S : Standard equipment

O : Optional equipment

- : Not available

OVAL		RECTANGULAR											
7444-0 7236-0	7242DS 7236DS	7242-OF	6642-0	7242-0 6636-0 6433-0	6040-0 6036-0	4842-0	6636RA 6034RA	7242RB 6642RB 6042RB	7238RC 6638RC 6636RC 6332RC	7236RD 6634RD	6036RE 6032RE 6030RE	6634RF 6032RF	6030RG 6032RH
S	S	S	S	S	S	S	S	S	S	S	S	S	S
S	S	S	S	S	S	S	S	S	S	-	-	S	S
S	S	S	S	S	S	S	S	S	S	S	S	S	S
S	S	-	S	S	S	S	S	S	S	-	-	S	S
S	S	-	S	S	S	S	S	S	S	-	-	S	S
S	S	S	S	S	S	S	S	S	S	S	S	S	S
S	S	S	S	S	S	S	S	S	S	S	S	S	S
-	-	-	S	-	-	S	S	0	-	-	-	S	S
0	S	-	0	0	0	-	-	0	0	-	-	-	-
0	-	-	0	0	-	-	-	0	0	-	-	-	-
0	0	0	0	0	0	0	0	0	0	0	0	0	0
0	0	0	0	0	0	0	0	0	0	0	0	0	0
0	0	0	0	0	0	0	0	0	0	0	0	0	0
0	0	0	0	0	0	0	0	0	0	0	0	0	0
-	-	-	-	-	-	-	0	0	0	0	0	0	0
0	0	0	0	0	0	0	0	0	0	0	0	0	0

AirBath STANDARD & OPTIONAL FEATURES

FEATURES	CORNER		4848C 4242C	OVAL		6636-0 6433-0	6040-0 6036-0
	6060C	5151C		7242-0F	6642-0		
 Chrome Electric Switch	S	S	S	S	S	S	S
 Hot Air Blower	S	S	S	S	S	S	S
 Water Level Sensor (Dry-run Protection)	S	S	S	S	S	S	S
 20 minutes Off-timer	S	S	S	S	S	S	S
 Auto Purge/ Dry Cycle (Air Bath)	S	S	S	S	S	S	S
 Chrome Air Jets w/ Anti-backwash Check Valve	S	S	S	S	S	S	S
 Underwater Mood Light w/ Multi color LED Light	S	S	S	S	S	S	S
 Chrome Grab Rail	S	-	-	-	S	S	S
 Grab Bar	-	S	S	-	S	-	-
 Headrest II w/Chrome Support	S	-	-	-	S	S	-
 Brass/ Nickel Trim Kit(Full Trim)	O	O	O	O	O	O	O
 Lateral Skirt	O	O	O	-	-	-	-
 Waste & Overflow Drain	O	O	O	O	O	O	O





S : Standard equipment

O : Optional equipment

- : Not available

RECTANGLAR							
6636RA 6034RA	7242RB 6642RB 6042RB	7238RC 6638RC 6636RC 6332RC	7236RD 6634RD	6036RE 6032RE 6030RE	6634RF 6032RF	6030RG	6032RH
S	S	S	S	S	S	S	S
S	S	S	S	S	S	S	S
S	S	S	S	S	S	S	S
S	S	S	S	S	S	S	S
S	S	S	S	S	S	S	S
S	S	S	S	S	S	S	S
S	S	S	S	S	S	S	S
-	S	S	-	-	-	-	-
S	-	-	-	-	S	S	S
-	S	S	-	-	-	-	-
0	0	0	0	0	0	0	0
0	0	0	0	0	0	0	0
0	0	0	0	0	0	0	0

Soaking Tub STANDARD & OPTIONAL FEATURES

FEATURES		7272S 6666S 6060S	7272R 6666R 6060R 5555R	7260D 7248D 7242D	6648D	6666C 5555C	6060DS 4848C 4242C	6060C	5151C
	Chrome Grab Rail	-	-	-	-	-	-	-	-
	Grab Bar	-	-	S	S	-	S	-	S
	Lateral Skirt	O	-	-	O	-	O	O	O
	Waste & Overflow Drain	O	O	O	O	O	O	O	O

S : Standard equipment

O : Optional equipment

- : Not available



Whirlpool skirt I (60"L w/Access panel)
Whirlpool skirt II (66"L w/ Access panel)



Standard skirt I (60"L w/o Access panel)
Standard skirt II (66"L w/o Access panel)



Corner skirt I (6060C)



Corner skirt II (5151C)
Corner skirt III (5555C)

74440 72360	7242DS 7236DS 72420	72420F	6642 0	6636 0 6433 0	6040 0 6036 0	4842 0	6636RA 6034RA	7242RB 6642RB 6042RB	7238RC 6638RC 6636RC 6332RC	7236RD 6634RD	6036RE 6032RE 6030RE	6634RF 6032RF	6030RG 6032RH
-	0	-	-	-	0	-	-	-	-	-	-	-	-
-	-	-	S	-	-	S	0	0	-	-	-	0	S
-	-	-	-	-	-	-	0	0	0	0	0	0	0
0	0	0	0	0	0	0	0	0	0	0	0	0	0



Corner skirt IV (6060DS)



Corner skirt V (4848C)
Corner skirt VI (4242C)

www.nixandnixie.net

Nix&Nixie
U S A

12420 Montague St., Unit B, Pacoima, CA 91331 U.S.A.